

Contents

APPLIANCES

APPLIANCES 1.1

CANVAS

BOWS 2.1
CANVAS 2.2
CANVAS 2.3

CARPET

CARPET—EXTERIOR 3.1
CARPET—INTERIOR 3.2

CONTROLS

PANEL—BRIDGE 4.1
PANEL—INSTRUMENT GAUGE 4.2
CONTROL CABLES 4.3

ELECTRICAL

LIGHTS—EXTERIOR 5.1
LIGHTS—INTERIOR 5.2
PANEL—AC DISTRIBUTION 5.3
HARDWARE—ELECTRICAL 5.4

ENGINE

ENGINE OPTIONS 6.1
DRIVES/TRANSOM PLATES 6.2
PROPELLER 6.3

FUEL

FUEL TANK 7.1
FUEL SYSTEM 7.2

HARDWARE AND MECHANICAL PARTS

HARDWARE—EXTERIOR	8.1
HARDWARE—INTERIOR.....	8.2
MECHANICAL PARTS—EXTERIOR	8.3

HATCHES, DOORS, AND WINDOWS

HATCHES, DOORS, AND WINDOWS	9.1
-----------------------------------	-----

MATERIAL KITS

MATERIAL KIT—PREFINAL.....	10.1
MATERIAL KIT—FINAL	10.2
MATERIAL KIT—DECK	10.3

PUMPS AND DRAINAGE

BILGE PUMP	11.1
DRAINAGE—DECK	11.2
DRAINAGE—SINK	11.3

STRIPES AND GRAPHICS

STRIPES AND GRAPHICS	12.1
----------------------------	------

UNDERWATER GEAR

TRIM TABS	13.1
-----------------	------

UPHOLSTERY AND CURTAINS

UPHOLSTERY—EXTERIOR.....	14.1
UPHOLSTERY—INTERIOR	14.2
CURTAINS	14.3

VENTILATION AND AIR CONDITIONING

VENTILATION—ENGINE ROOM	15.1
-------------------------------	------

WASTE

WASTE SYSTEM	16.1
--------------------	------

WASTE SYSTEM	16.2
GREY WATER—	
EUROPEAN OPTION (141=N)	16.3
GREY WATER—	
141 OPTION (141=Y)	16.4
GREY WATER—	
141 OPTION (141=Y)	16.5

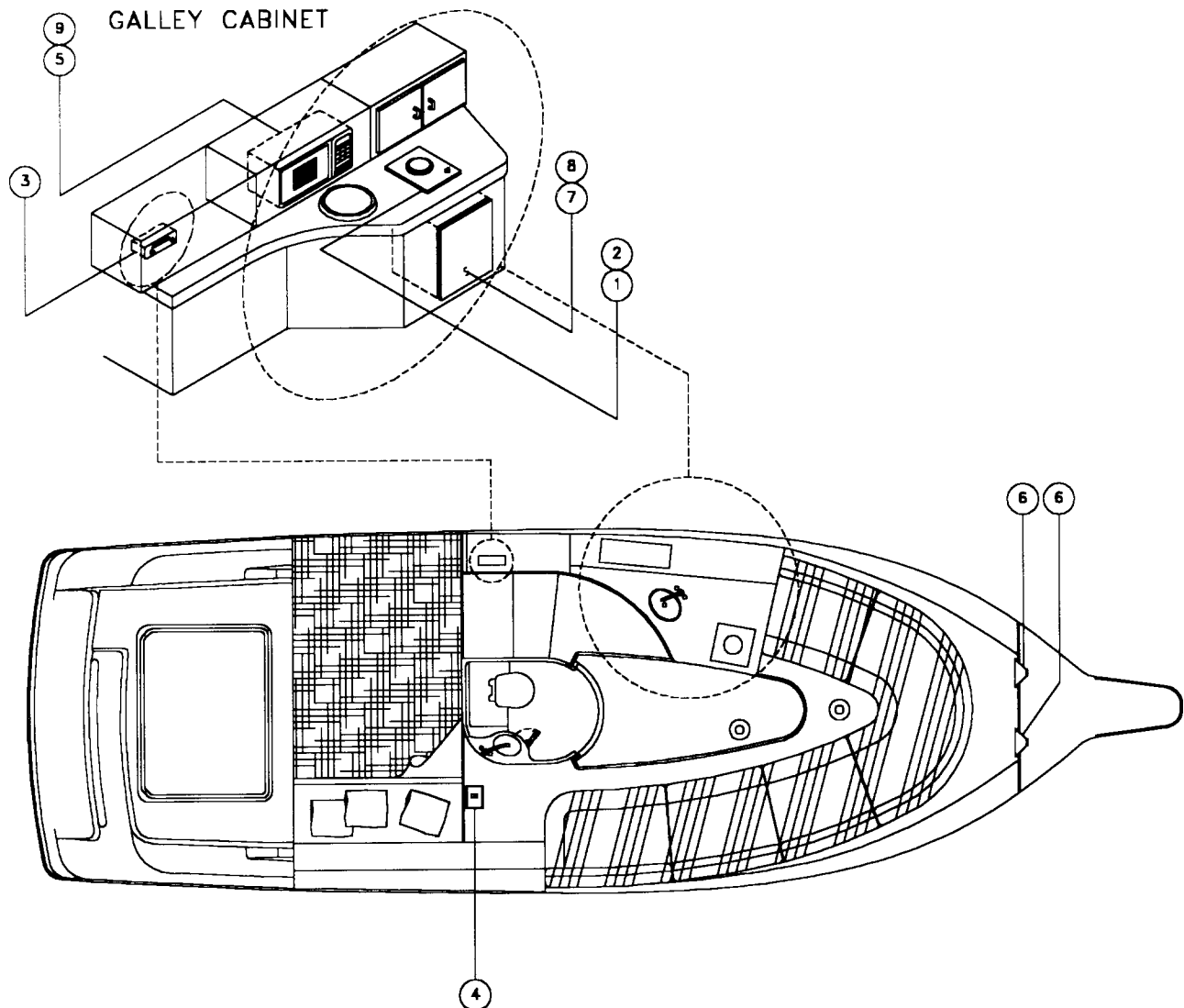
WATER

WATER SYSTEM	17.1
WATER SYSTEM	17.2

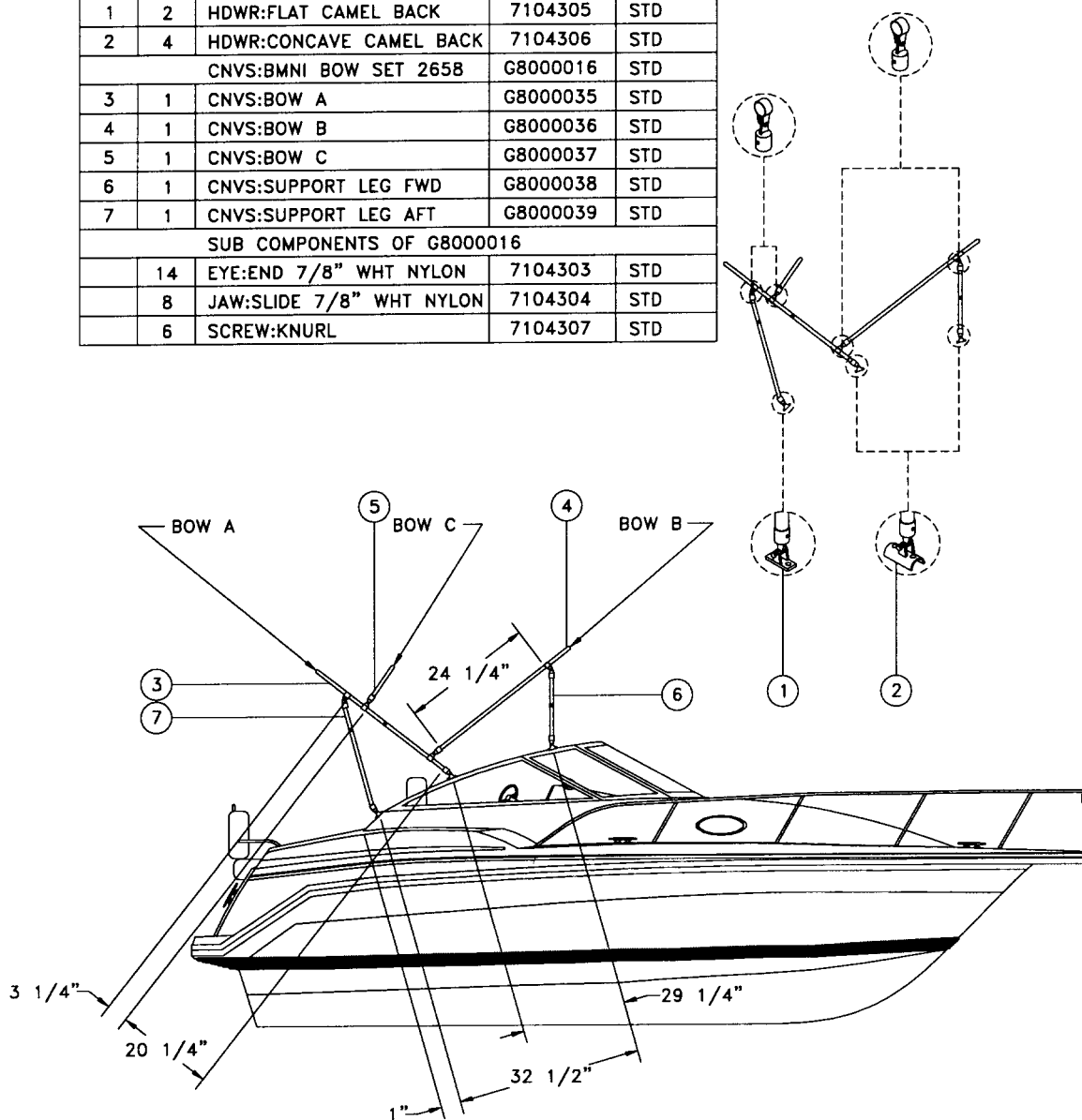
WOOD PARTS

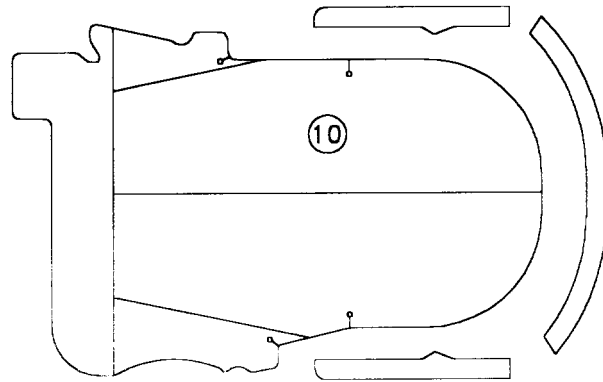
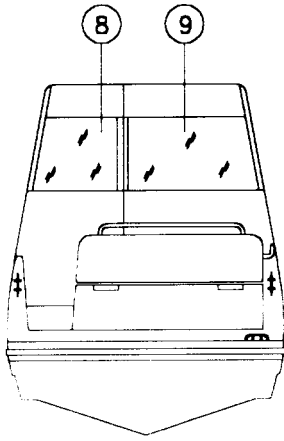
DOORS	18.1
-------------	------

ITEM	QTY	DESCRIPTION	PART #	OPTION
1	1	STOVE:ELEC 1-BRN (B) DUALV	6124302	STOVE=STD
2	1	STOVE:ALC/ELEC 1-BRN 220V	6122901	110V=N & STOVE=STD
3	1	STEREO:AM/FM W/CASSETTE	7339610	STEREO=STD
4	1	DETECTOR:CARBON MONOXIDE	7322000	STD
5	1	MICRO:.5CF GE 110V	6215702	110V=Y & MICRO=Y
6	2	SPKR:WHT 6 1/2" CO-AX	7335502	STD
7	1	REFER:220V EV351 NORCOLD	6107901	110V=N
8	1	REFER:110V DE351 NORCOLD	6107900	110V=Y
9	1	MICRO:220V ELECTROLUX	6122801	110V=N & MICRO=Y

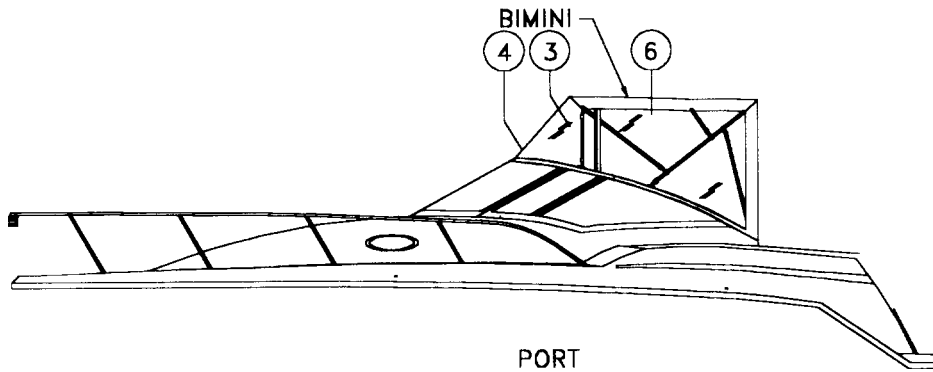
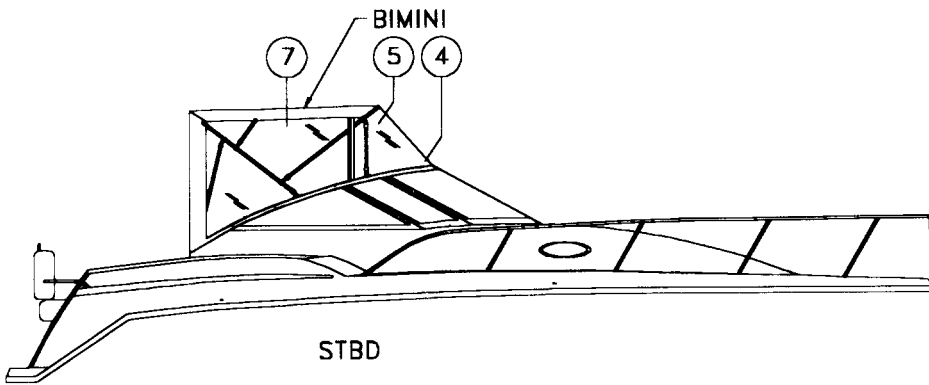


ITEM	QTY	DESCRIPTION	PART #	OPTION
1	2	HDWR:FLAT CAMEL BACK	7104305	STD
2	4	HDWR:CONCAVE CAMEL BACK	7104306	STD
		CNVS:BMNI BOW SET 2658	G8000016	STD
3	1	CNVS:BOW A	G8000035	STD
4	1	CNVS:BOW B	G8000036	STD
5	1	CNVS:BOW C	G8000037	STD
6	1	CNVS:SUPPORT LEG FWD	G8000038	STD
7	1	CNVS:SUPPORT LEG AFT	G8000039	STD
SUB COMPONENTS OF G8000016				
	14	EYE:END 7/8" WHT NYLON	7104303	STD
	8	JAW:SLIDE 7/8" WHT NYLON	7104304	STD
	6	SCREW:KNURL	7104307	STD





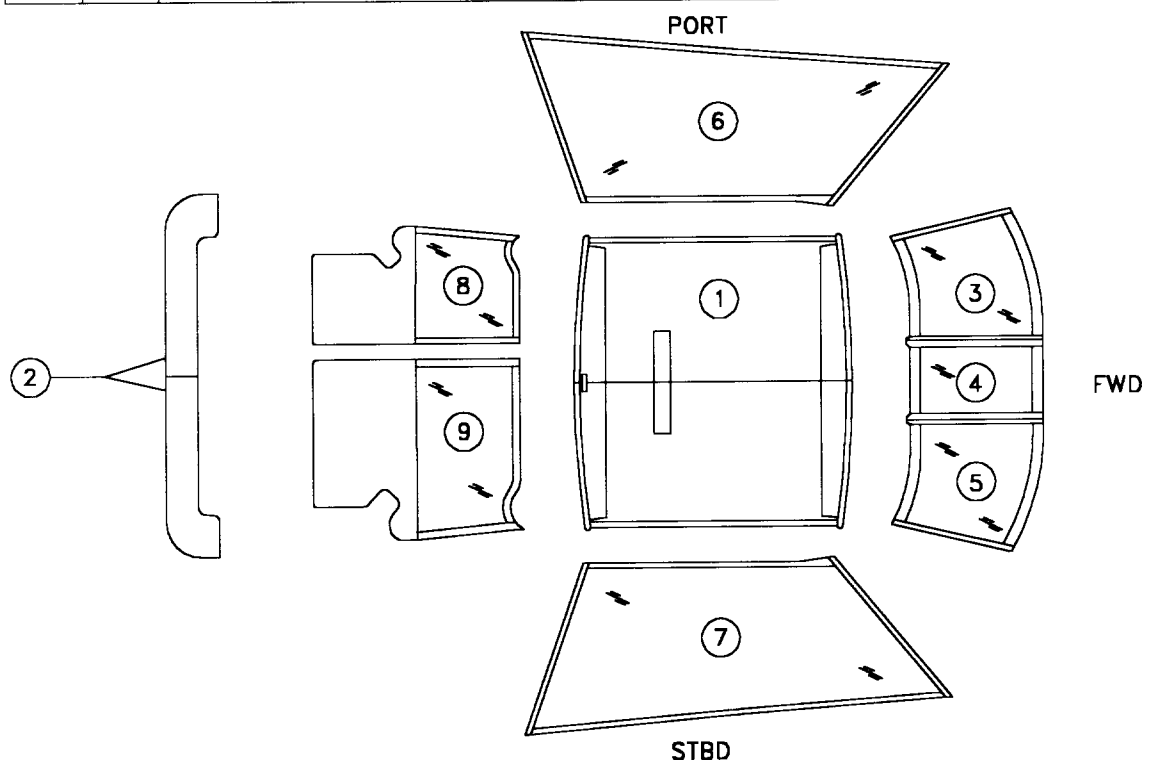
DETAIL TONNEAU COVER



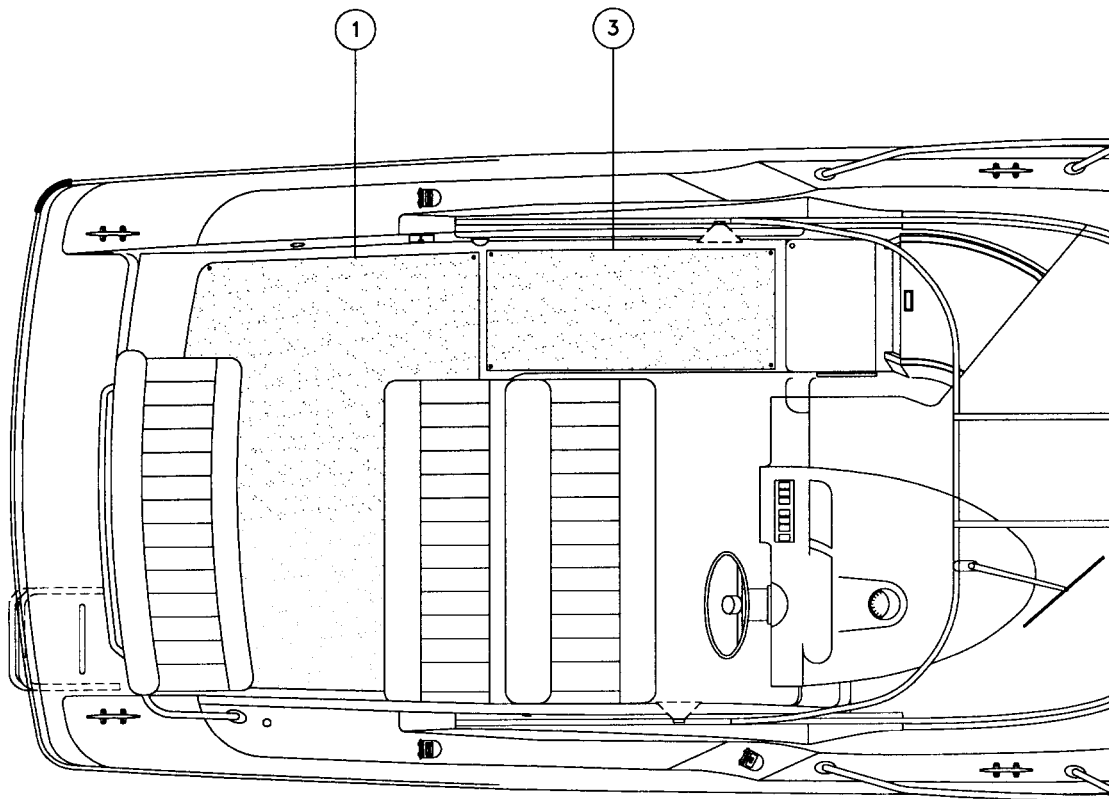
ITEM	QTY	DESCRIPTION	PART NO.	OPTION
CNVS:BMNI TOP INSTALL			D4000103	STD
1	1	CNVS:BIMINI TOP	D4000212	
2	1	CNVS:BIMINI BOOT ASSY	D4000215	

ITEM	QTY	DESCRIPTION	PART NO.	OPTION
CNVS:ENCL CURT SET			G8000030	STD
3	1	CNVS:ENCL CURT A	G8000042	
4	1	CNVS:ENCL CURT B	G8000043	
5	1	CNVS:ENCL CURT C	G8000044	
6	1	CNVS:ENCL CURT E	G8000045	
7	1	CNVS:ENCL CURT EE	G8000046	
8	1	CNVS:ENCL CURT I2	G8000028	
9	1	CNVS:ENCL CURT J2	G8000029	

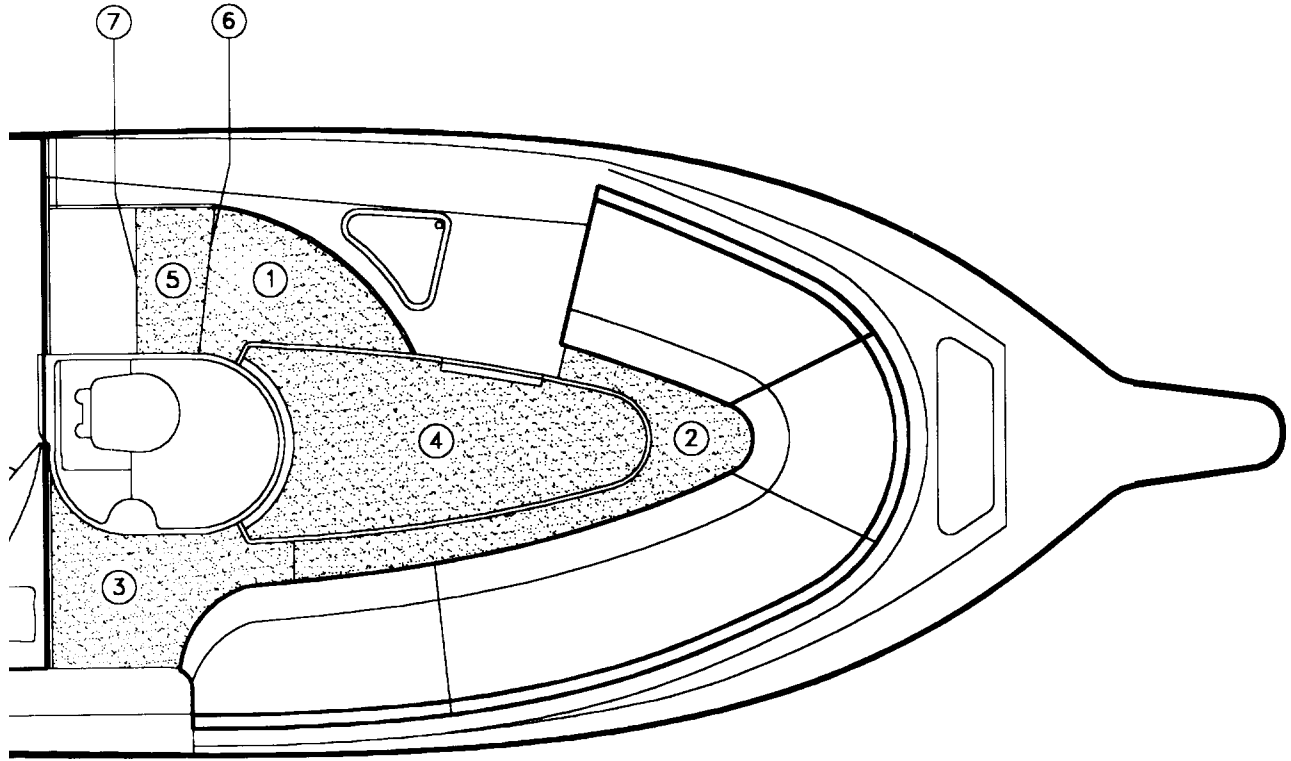
ITEM	QTY	DESCRIPTION	PART NO.	OPTION
10	1	CNVS:TONNEAU COVER	G8000025	120=Y



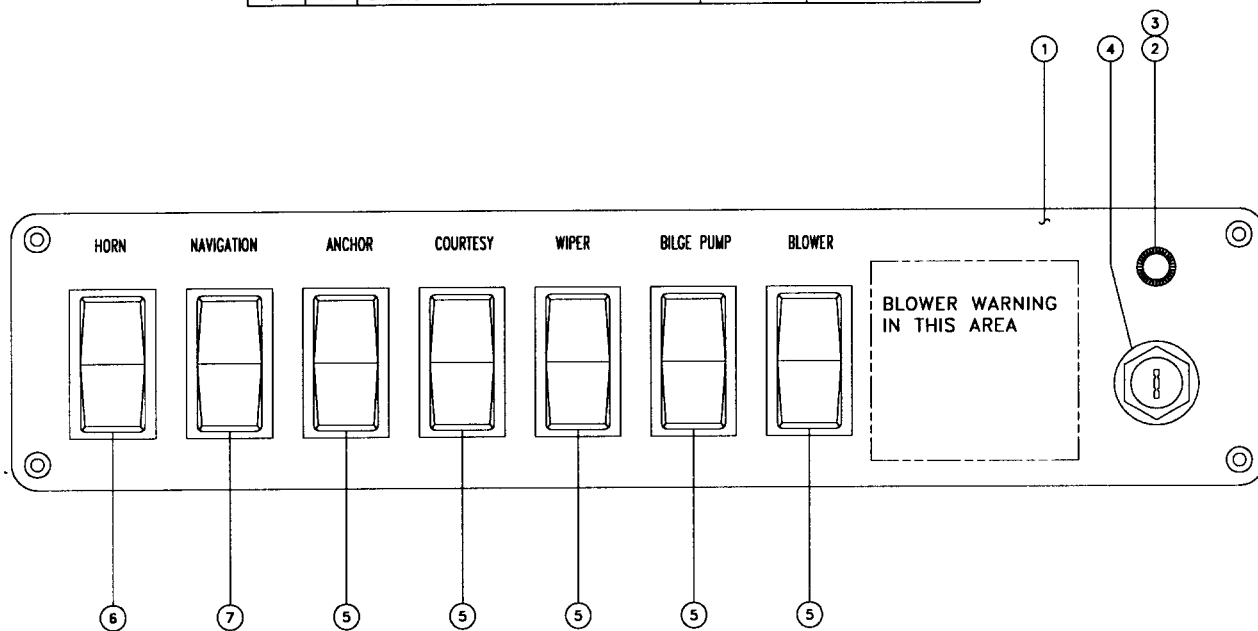
ITEM	QTY	DESCRIPTION	PART #	OPTION
		CRPT:KIT EXTERIOR	D400060	
1	1	CRPT:#1 AFT	D4000209	800=Y
3	1	CRPT:#3 FWD PORT	D4000210	800=Y



CRPT:KIT INTERIOR			D4000052	
ITEM	QTY	DESCRIPTION	PART#	OPTION
1	1	CRPT: INT 2358 #1 GALLEY	D4000205	STD
4	1	CRPT: INT 2358 #4 FLOOR	D4000208	STD
5	1	CRPT: INT 2358 #5 UPPER STEP	D4000217	STD
6	1	CRPT: INT 2358 #6 LOWER RISER	D4000218	STD
7	1	CRPT: INT 2358 #7 UPPER RISER	D4000219	STD
8	1	CRPT: INT 2358 #8 V & MID-BERTH	D4000206	STD

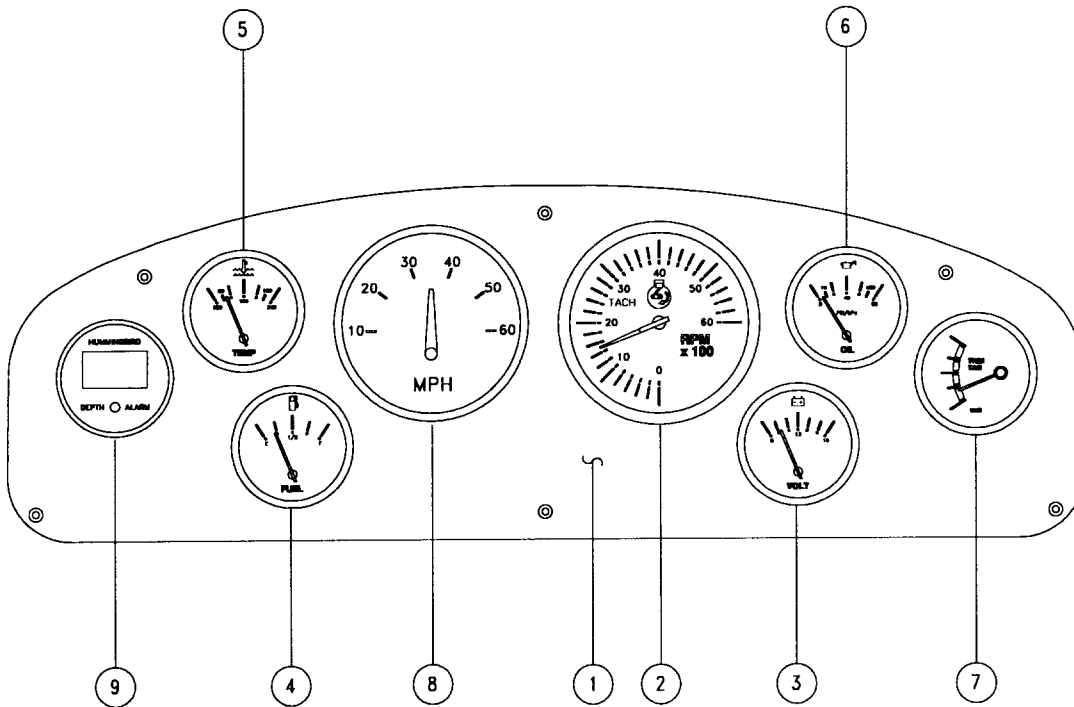


ITEM	QTY	DESCRIPTION	PART#	OPTION
1	1	PNL: SWITCH	5765433	STD
2	1	BREAKER: 20A PUSH BUTTON	8900420	STD
3	1	BREAKER: BUTTON SEAL F/20A	8900421	STD
4	1	SW: IGNITION, WITH KEYS	8950700	STD
5	5	SW: RCKR SPST V-SERIES NO	8974600	STD
6	1	SW: RCKR SPST MOM V-SERIES	8974601	STD
7	1	SW: RCKR DPDT V-SERIES NO	8974602	STD



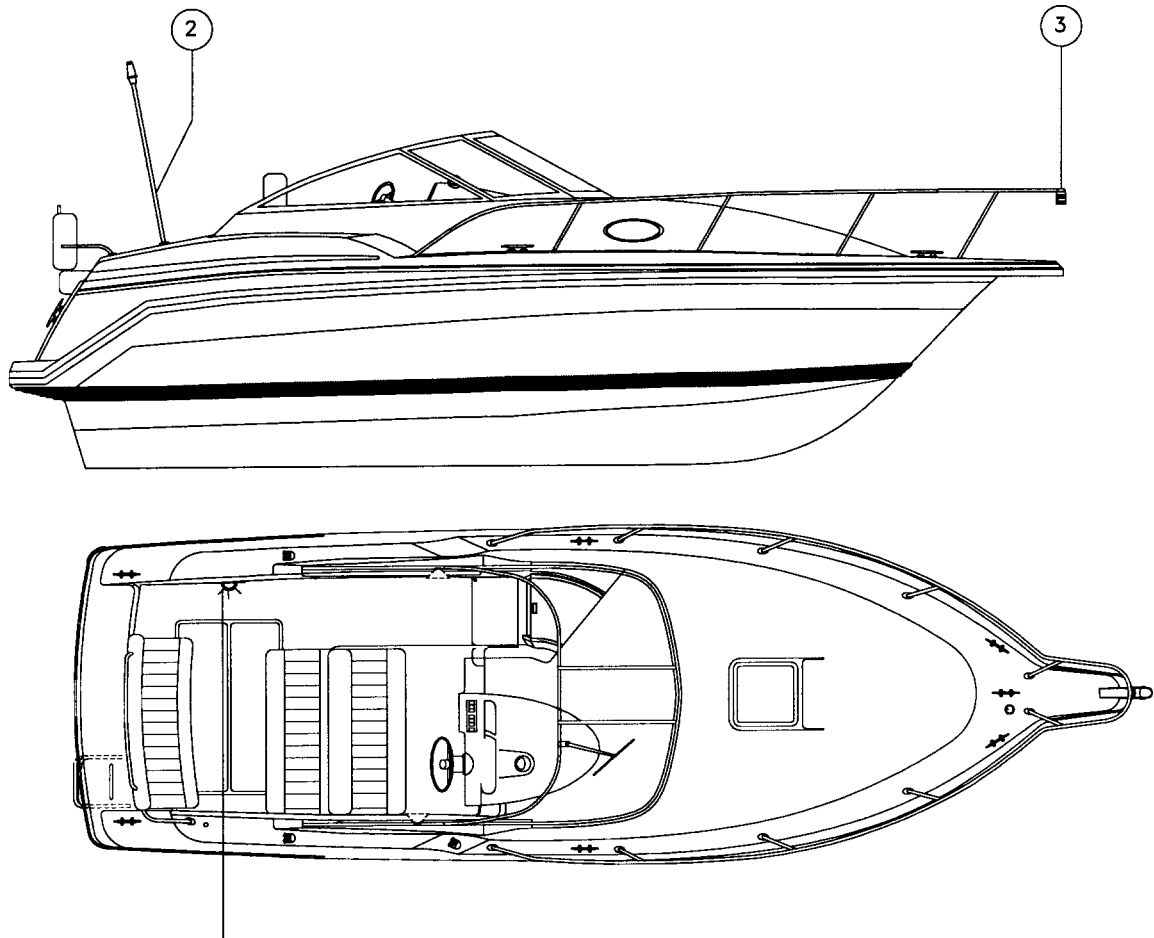
PANEL—INSTRUMENT GAUGE

ITEM	QTY	DESCRIPTION	PART #	OPTION
1	1	PNL:INSTR 2658	5765434	STD
2	1	GA:TACH GAS BLK BEEDE	5765404	STD
3	1	GA:VOLT BLK BEEDE	5765407	STD
4	1	GA:FUEL BLK BEEDE	5765408	STD
5	1	GA:TEMP BLK BEEDE	5765410	STD
6	1	GA:OIL 0-80PSI BLK BEEDE	5765411	STD
7	1	GA:TRIM MERC BLK BEEDE	5765430	STD
8	1	GA:SPEED BLK BEEDE	5765437	STD
9	1	GA:DEPTH BLK ON BLK	5765189	STD

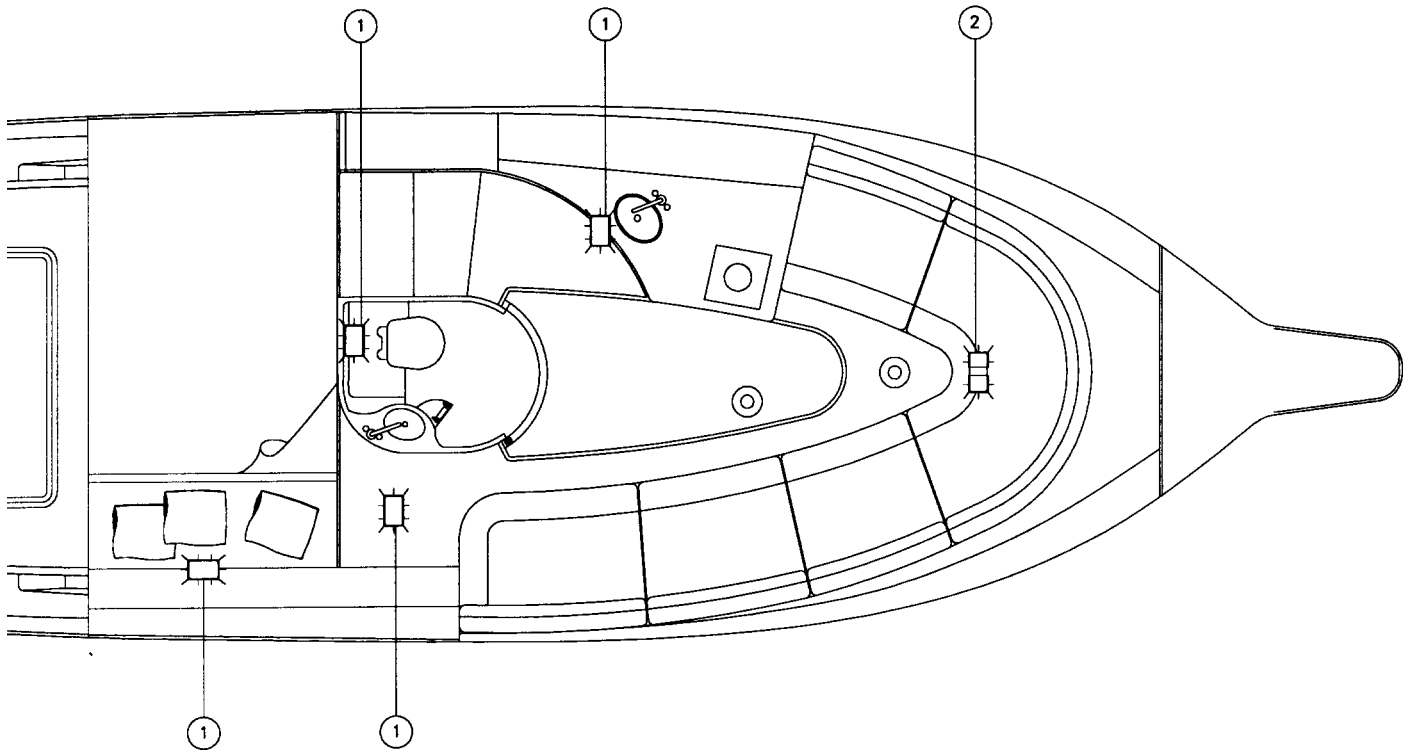


CONTROL CABLE CHART					
OPT.	PORT		STARBOARD		ENGINE DESCRIPTION
	CONT	CABLES		CABLES	
910		14' 5531400		13' 5531300	Merc 5.7 Bravo III

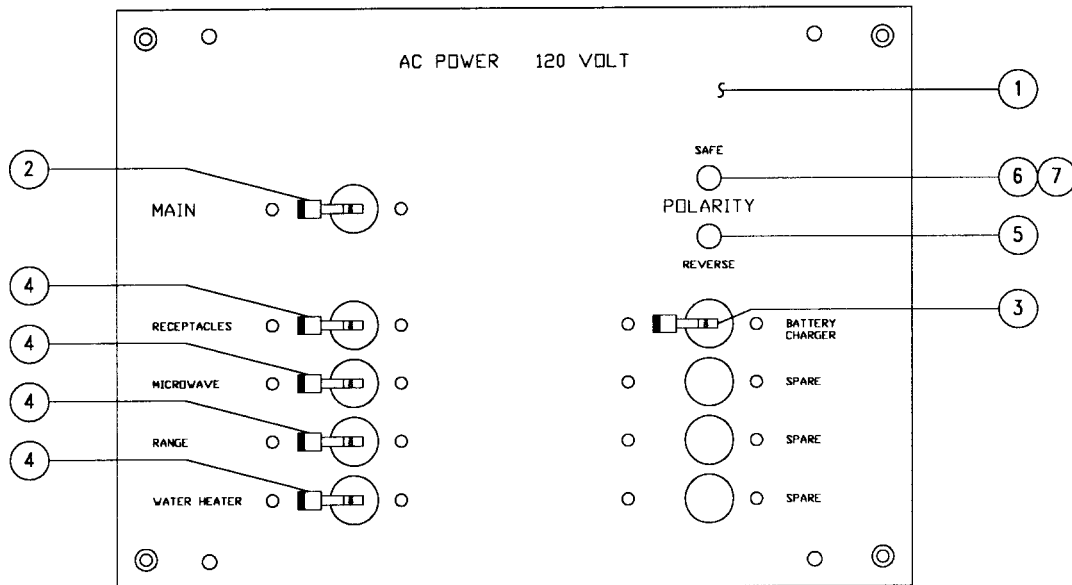
ITEM	QTY	DESCRIPTION	PART#	OPTION
1	1	LT:COURTESY WHT FLAT OVAL	6404400	STD
2	1	LT:CUSTOM 5' STWAWAY ANCH	6411700	STD
3	1	LT:SERIES 25 BI-COLOR	6421700	STD



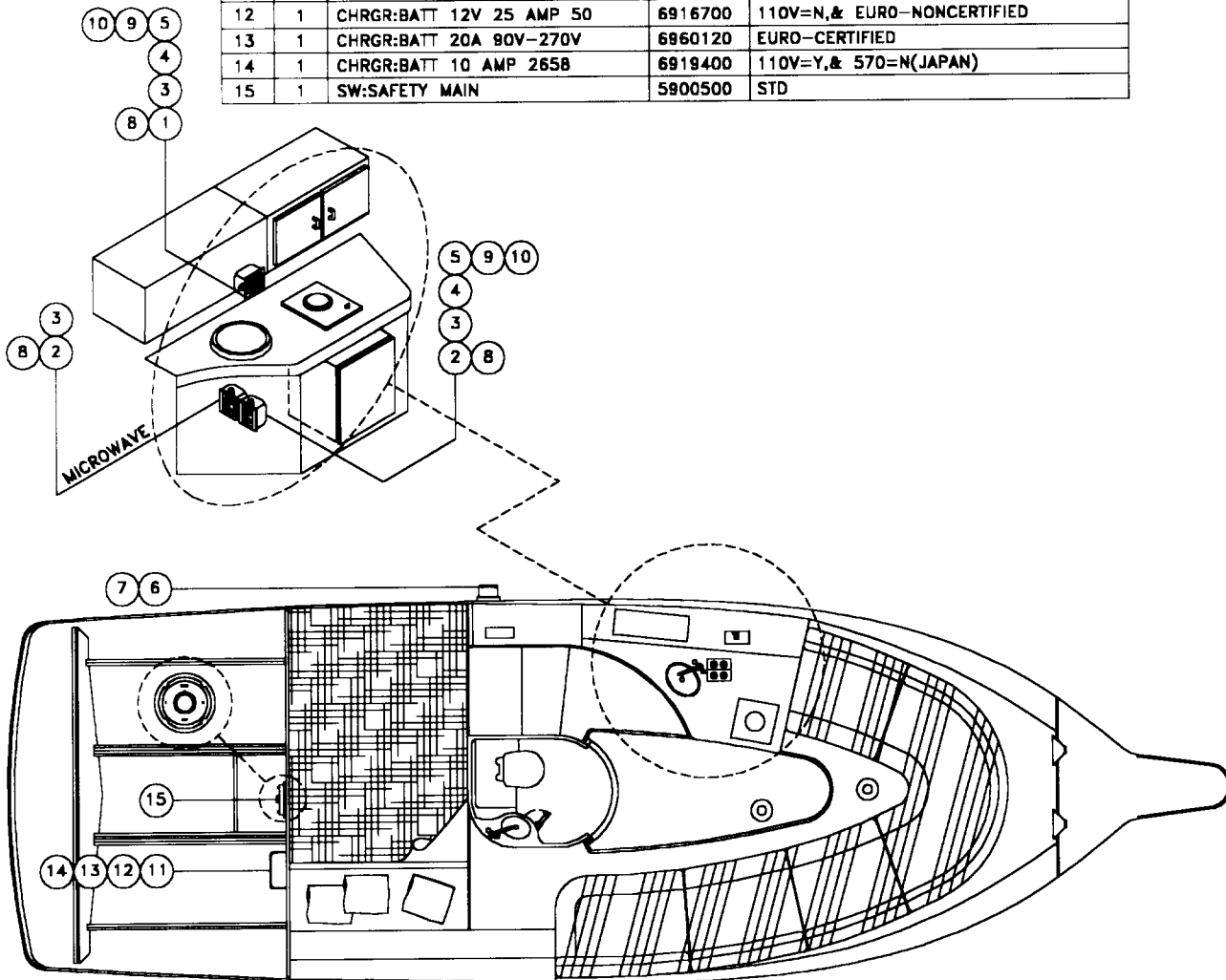
ITEM	QTY	DESCRIPTION	PART #	OPTION
1	4	LT:SGL WHITE W/WHITE LENS	6412300	STD
2	1	LT:DBL WHITE W/WHITE LENS	6412301	STD



ITEM	QTY	DESCRIPTION	PART #	OPTION
1	1	PNL:AC DCKSD N/METER	5722400	STD
2	1	BREAKER:30A 3 POLE MAIN	8900333	STD
3	1	BREAKER:AC/DC 5A	8901005	STD
4	4	BREAKER:AC/DC 15A	8901015	STD
5	1	LT:125 VAC RED INDICATOR	8957300	110V=Y
6	1	LT:125V GREEN INDICATOR	8957100	110V=Y
7	1	LT:250V GREEN INDICATOR	8957200	110V=N



ITEM	QTY	DESCRIPTION	PART #	OPTION
1	1	RECPTCL:GFCI BEIGE (96)	6930004	110V=Y
2	1	RECPTCL:BEIGE (96)	6930005	110V=Y
	1	RECPTCL:BEIGE (96)	6930005	MICRO=Y,& 110V=Y
3	2	RECPTCL:UNIVERSAL EURO 22	6940700	110V=N
	1	RECPTCL:UNIVERSAL EURO 22	6940700	MICRO=Y,& 110V=N
4	2	RECPTCL:15A 250V AUSTRALN	6952000	574=Y(NEW) OR 576=Y(ASL),& 110V=N
5	2	RECPTCL:U.K. 220V	6905100	572=Y(UK),& 110V=N
6	1	INLET:30 AMP POWER	6914800	110V=Y
7	1	INLET:16 AMP 220V VALOX	6916400	110V=N
8	2	PLT:CVR ROCKER BEIGE (96)	6930002	110V=Y
	1	PLT:CVR ROCKER BEIGE (96)	6930002	MICRO=Y,& 110V=Y
9	2	PLT:CVR F/6905100 U.K.	6905200	572=Y(UK),& 110V=N
10	2	BRKT:F/6905100 U.K. REC	6905300	572=Y(UK),& 110V=N
11	1	CHRGR:25A 2 BNK 100V 50/6	6928100	570=Y(JAPAN)
12	1	CHRGR:BATT 12V 25 AMP 50	6916700	110V=N,& EURO-NONCERTIFIED
13	1	CHRGR:BATT 20A 90V-270V	6960120	EURO-CERTIFIED
14	1	CHRGR:BATT 10 AMP 2658	6919400	110V=Y,& 570=N(JAPAN)
15	1	SW:SAFETY MAIN	5900500	STD

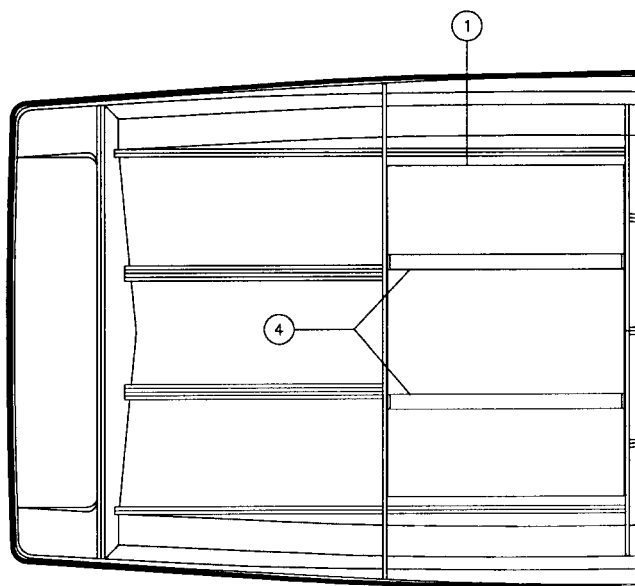
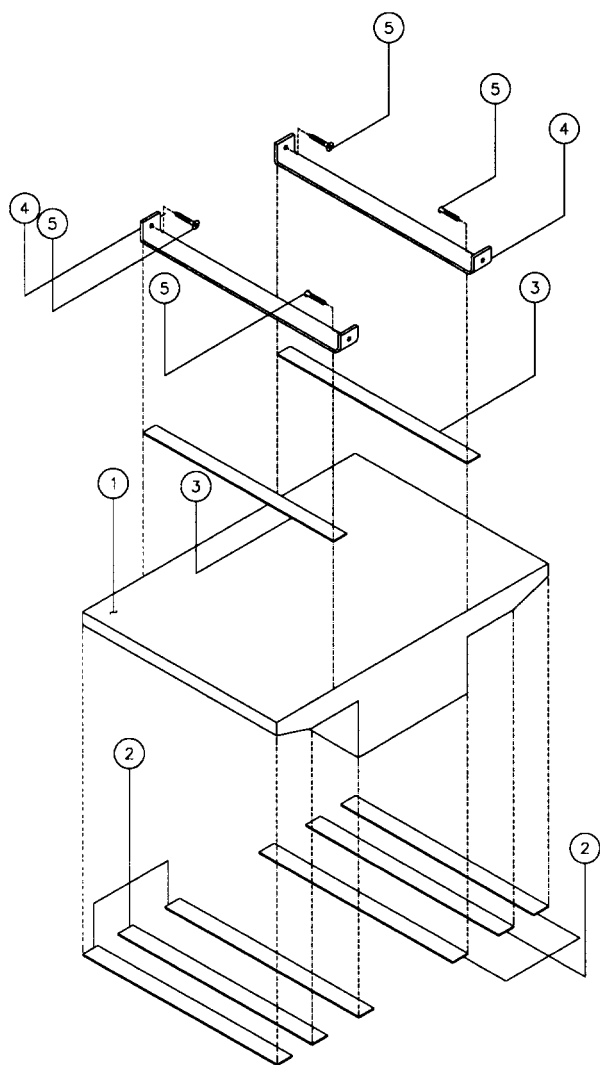


ENGINE OPTIONS CHART				
MODEL:2658			CODE:G8	
OPTION	PART NUMBER	DESCRIPTION	GAS	DIESEL
910	5031010	Merc 5.7 Bravo III	X	
912	5031020	Merc 5.7 Bravo III	X	
919	5040311	Merc 7.4 Bravo III	X	

DRIVES, TRANSOM PLATES, & V-DRIVES		
MODEL: 2658		
OPTION	PART NUMBER	DESCRIPTION
912	5031021	Merc 5.7 Bravo III 2.1
919	5031102	Merc 7.4 Bravo III
912	5031022	Trnsm: 5.7
919	5031202	Trnsm: 7.4

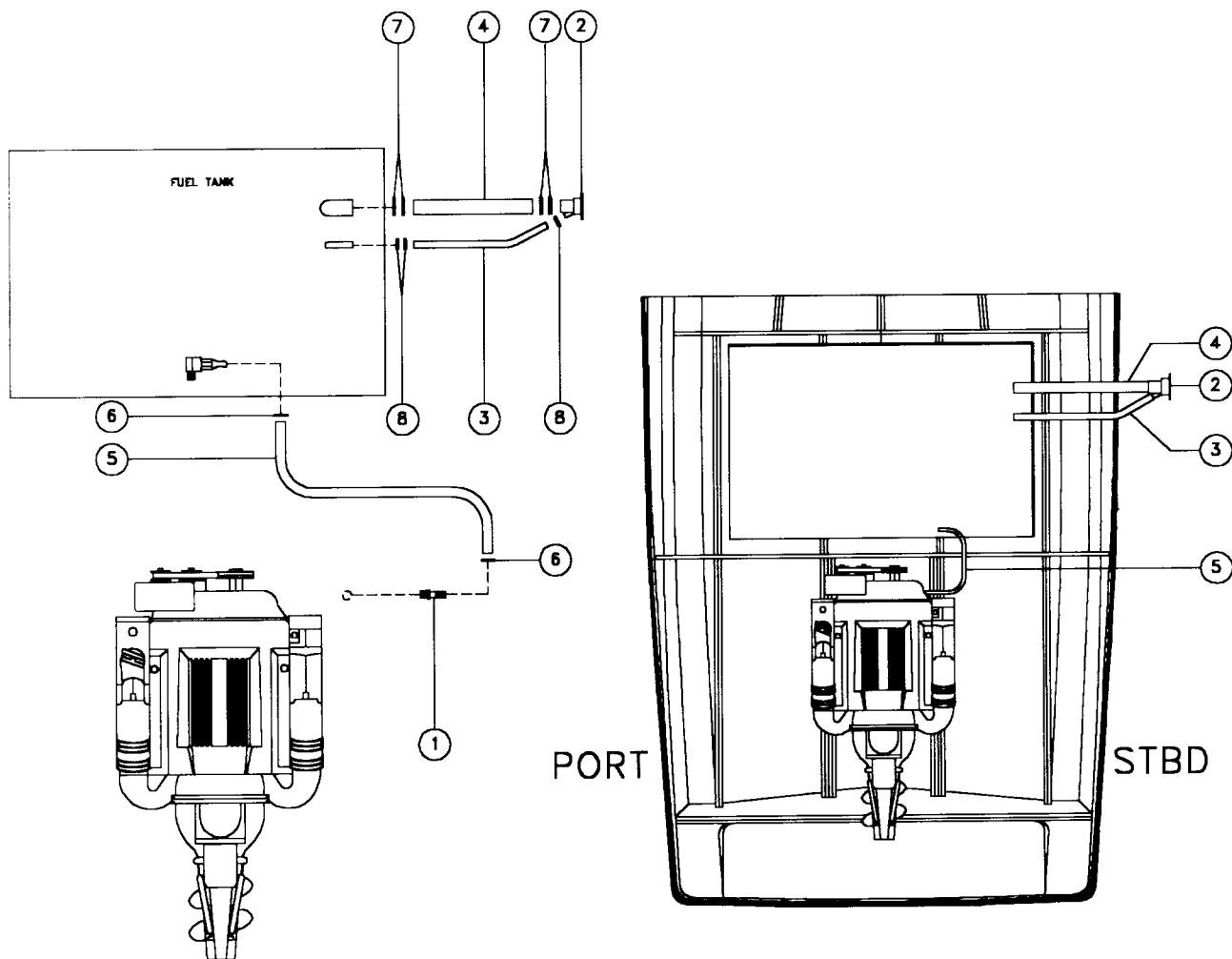
PROP CHART		
MODEL: 2658		
ENGINE OPTION	PART NUMBER	DESCRIPTION
910	5204500	17' 2" - 1/2 x 23 Right Merc
912	5211600 5211601	Bravo III 20" Front " " Rear
919	5211500 5211501	Bravo III 24" Front " " Rear

ITEM	QTY	DESCRIPTION	PART#	OPTION
1	1	TANK:FUEL 71 GAL PLASTIC	6016801	STD
2	6	RUBBER:1/4" X 3" X 44-3/4" LG	8110500	STD
3	2	RUBBER:1/4" X 3" X 44" LG	8110500	STD
4	2	TANK HOLD DOWNS	6070726	STD
5	4	SCREW: #10 X 1-1/2" OH SMS GR	7709800	STD

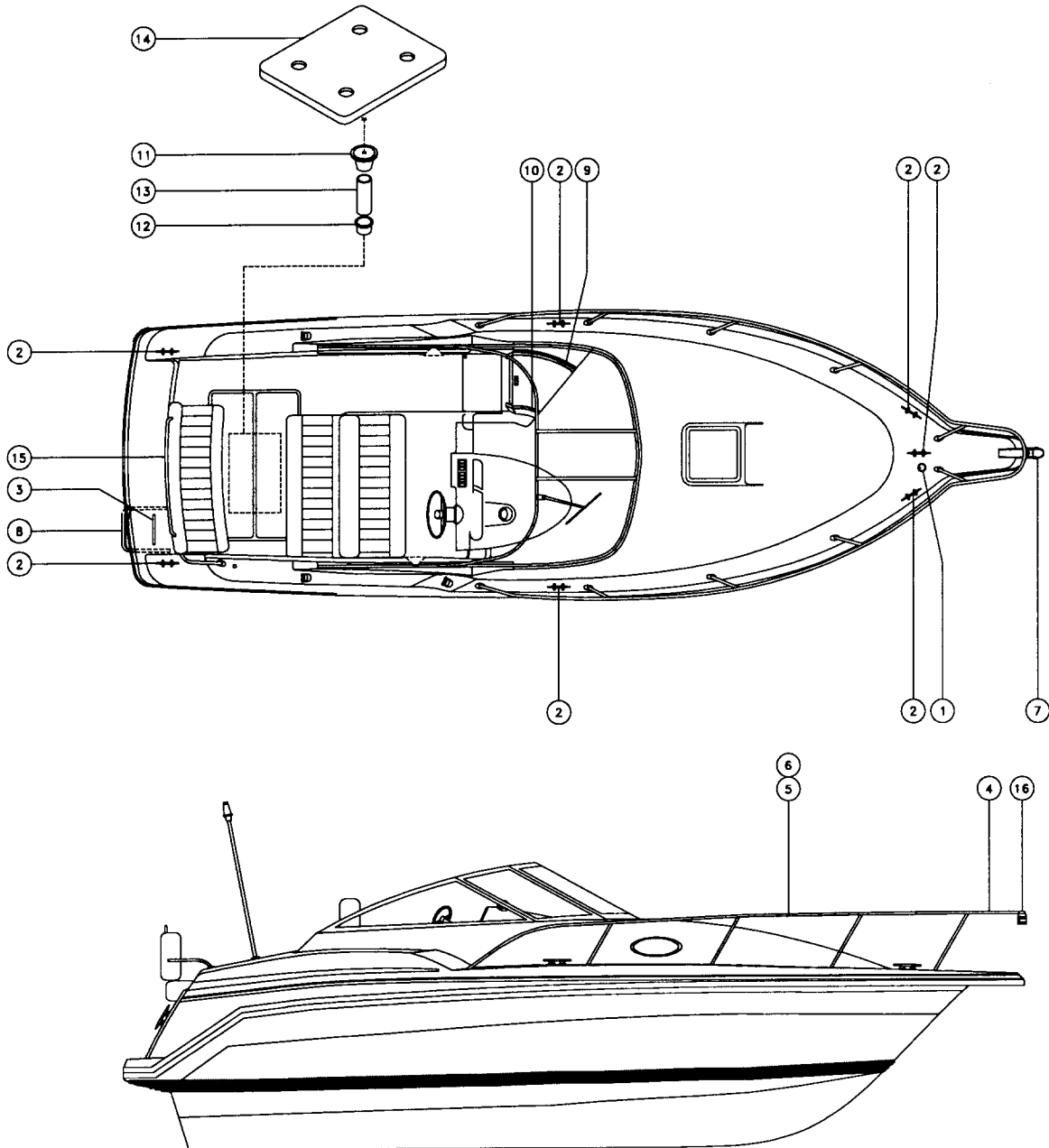


ITEM	QTY	DESCRIPTION	PART #	OPTION
1	1	FIT:HS BRB 3/8 x 1/4MPT BR	7417005	*
2	1	PLT:GAS 1.5" W/VENT ANGLD	6217700	GAS=Y
3	1	HOSE:5/8 x 6' FUEL VENT	A0000064	STD
4	1	HOSE:1 1/2 x 74" FUEL FILL	A0015771	STD
5	1	HOSE:3/8 x 6' FUEL	A0000029	*
6	2	CLAMP:HOSE #8 (7/16 TO 7/8)	7500200	*
7	4	CLAMP:HOSE #28	7500600	STD
8	3	CLAMP:HOSE #10	7500400	STD

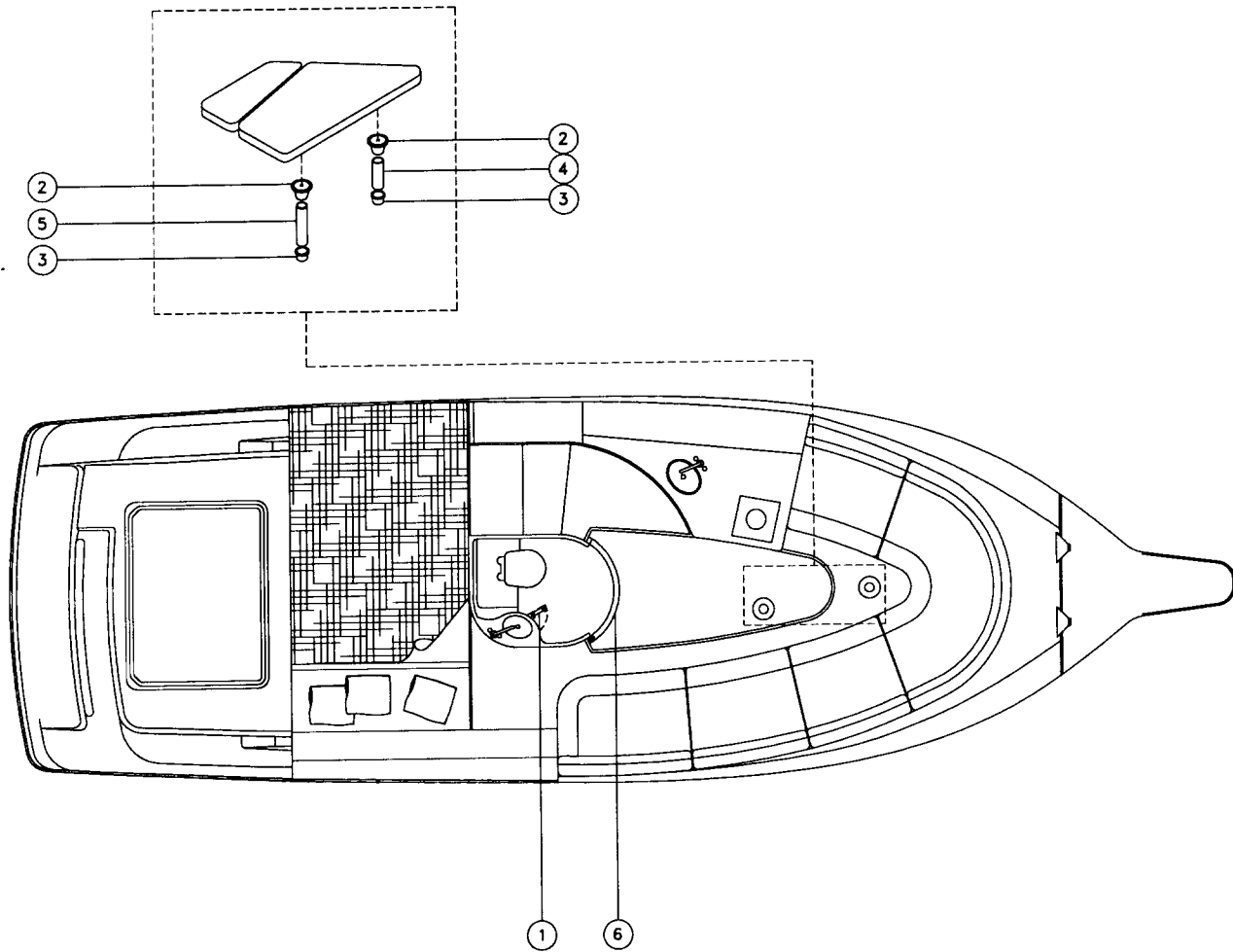
* = ENGINE OPTIONS (910,912,919,960)



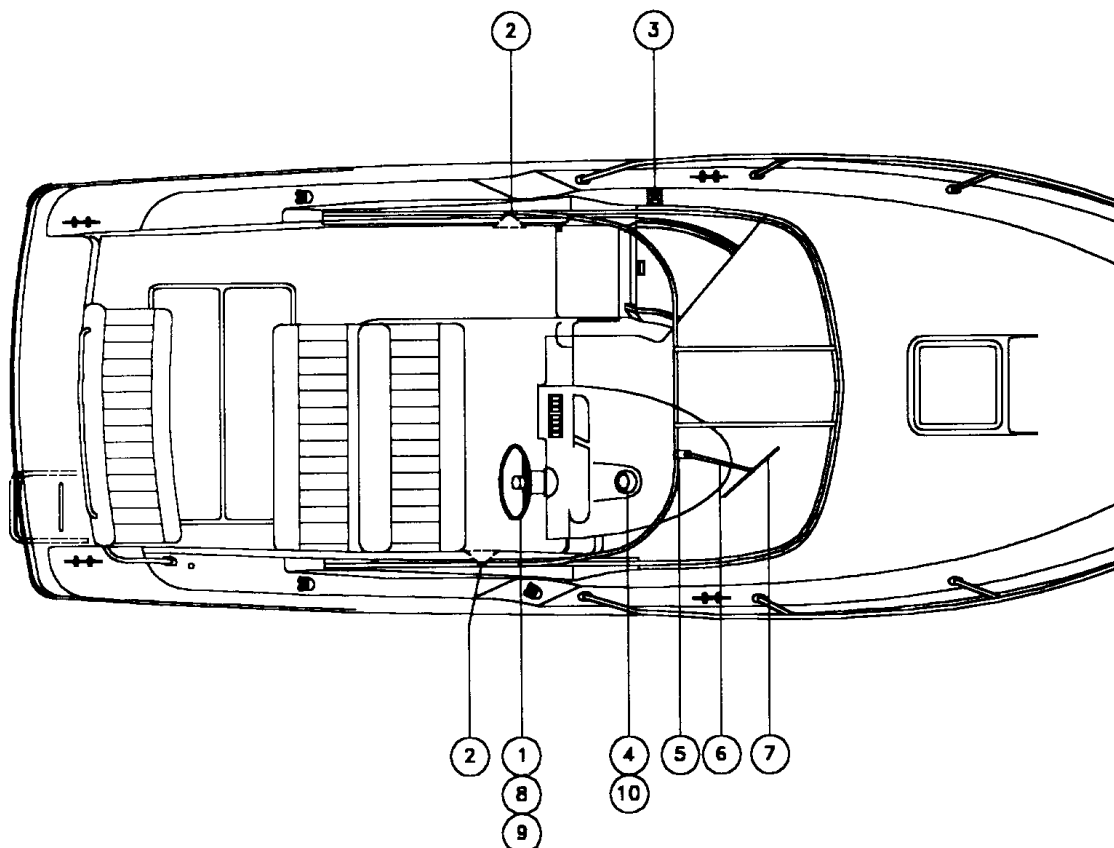
ITEM	QTY	DESCRIPTION	PART#	OPTION
1	1	PIPE:DECK HAWSE	6692400	STD
2	7	CLT:8" OPEN BASE	6662201	STD
3	1	RAIL:GRAB 12" W/STAND-OFF	6799400	STD
4	1	RAIL:BOW PULPIT	6799267	STD
5	1	RAIL:BOW PORT	6799268	STD
6	1	RAIL:BOW STBD	6799269	STD
7	1	ROLLER:BOW 2558	7135300	STD
8	1	LDDR:SWM 2-STEP	7170601	STD
9	1	TRACK:CMPNWAY BENT	7228200	STD
10	1	TRACK:CMPNWAY BENT	7228201	STD
11	1	BASE:AL TABLE	7216500	STD
12	1	BASE:AL TABLE RECESSED	7216600	STD
13	1	LEG:TABLE 2"DX28-1/2"	7216700	STD
14	1	TABLE:DRINK HOLDER 21,23	8538000	STD
15	1	RAIL:TRANSOM SEAT	6676237	STD
16	1	BRKT:RAIL MNT SER 25 LT	6410500	STD



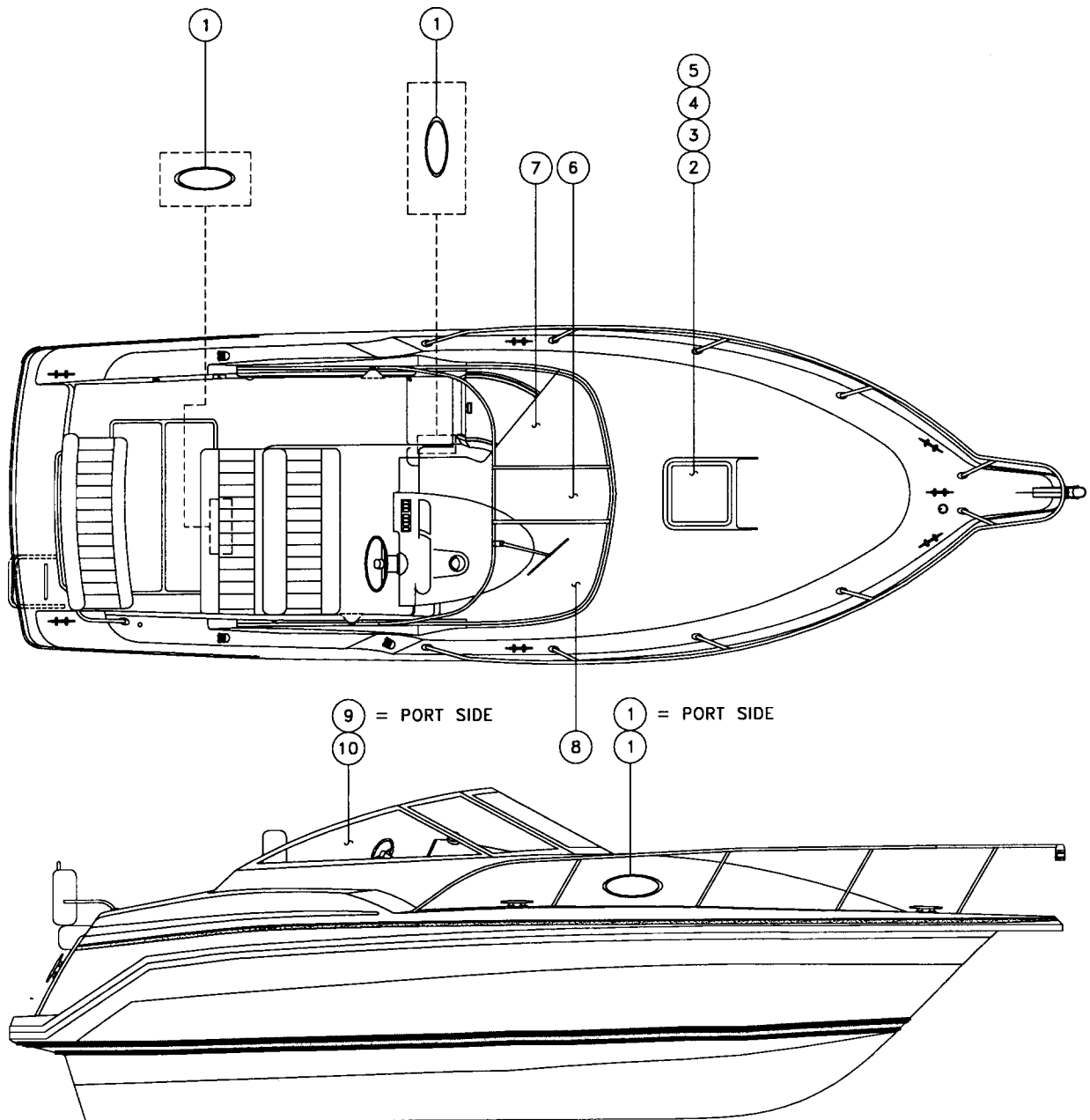
ITEM	QTY	DESCRIPTION	PART #	OPTION
1	1	HOLDER:TOILET TISSUE	6201900	STD
2	2	BASE:TABLE STD	7216202	STD
3	2	BASE:TABLE RECESSED	7216203	STD
4	1	LEG:TABLE 30 5/8 WH	7216200	STD
5	1	LEG:TABLE 39 7/8 WH	7216201	STD
6	1	WRVL:DOOR HEAD	8416400	STD



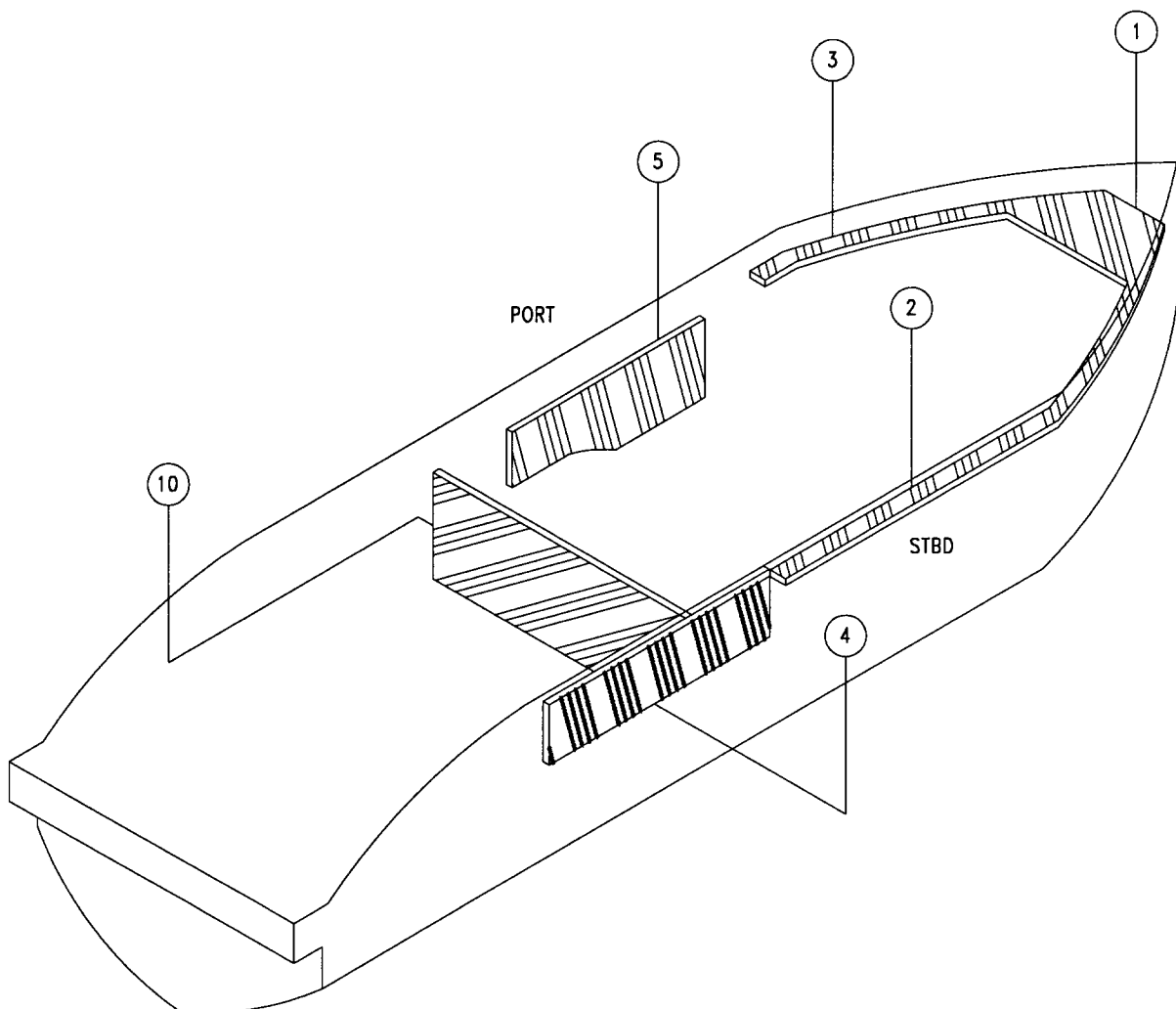
ITEM	QTY	DESCRIPTION	PART#	OPTION
1	1	WHEEL: STEERING 14" CE	5466901	STD
2	2	SPKR: WHT 6 1/2" CO-AX	7335502	STD
3	1	HORN: MINI COMPACT	7380000	STD
4	1	COMPSS: FLUSH MOUNT 3" CARD	7347400	574=N(NEW),OR 576=N(ASL)
5	1	WPER: MOTOR FRM MT 80 D	7313400	STD
6	1	WPER: ARM ADJUST 10-14IN	7307500	STD
7	1	WPER: BLADE STRAIGHT 11	7313401	STD
8	1	HLM: SAFE-T QUICK CONNECT	5406001	STD
9	1	BEZEL: SAFE-T KIT 21,23	5406100	STD
10	1	COMPSS: FLUSH CARD SOUTH	7311204	574=Y(NEW),OR 576=Y(ASL)



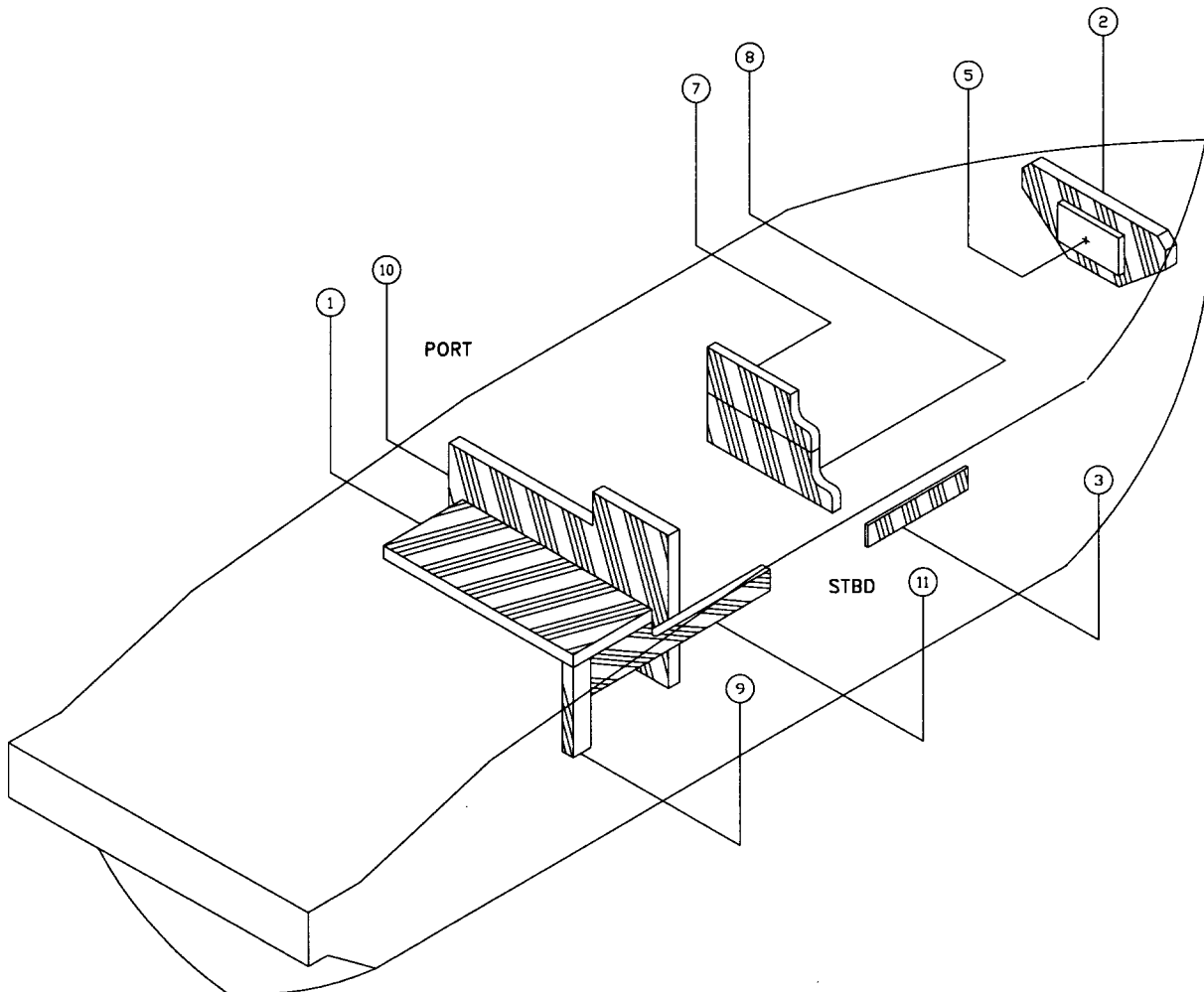
ITEM	QTY	DESCRIPTION	PART#	OPTION
1	4	PRTHL:7x17 ELIPSE WHT	7311501	STD
2	1	HATCH:DECK 18 x 18 W/TR-SC	7314405	CE=N
3	1	HATCH:DECK LOW PROFL "CE"	7307015	CE=Y
4	1	RNG:TRIM F/7314405 25/26	7314406	STD
5	1	SCREEN:F/7314405 25/26	7314407	STD
		W/S:SET 2658 WHT	7057305	
6	1	W/S:SET 2658 WHT CTR	7057306	STD
7	1	W/S:SET 2658 WHT P-FWD	7057307	STD
8	1	W/S:SET 2658 WHT S-FWD	7057308	STD
9	1	W/S:SET 2658 WHT P-AFT	7057309	STD
10	1	W/S:SET 2658 WHT S-AFT	7057310	STD



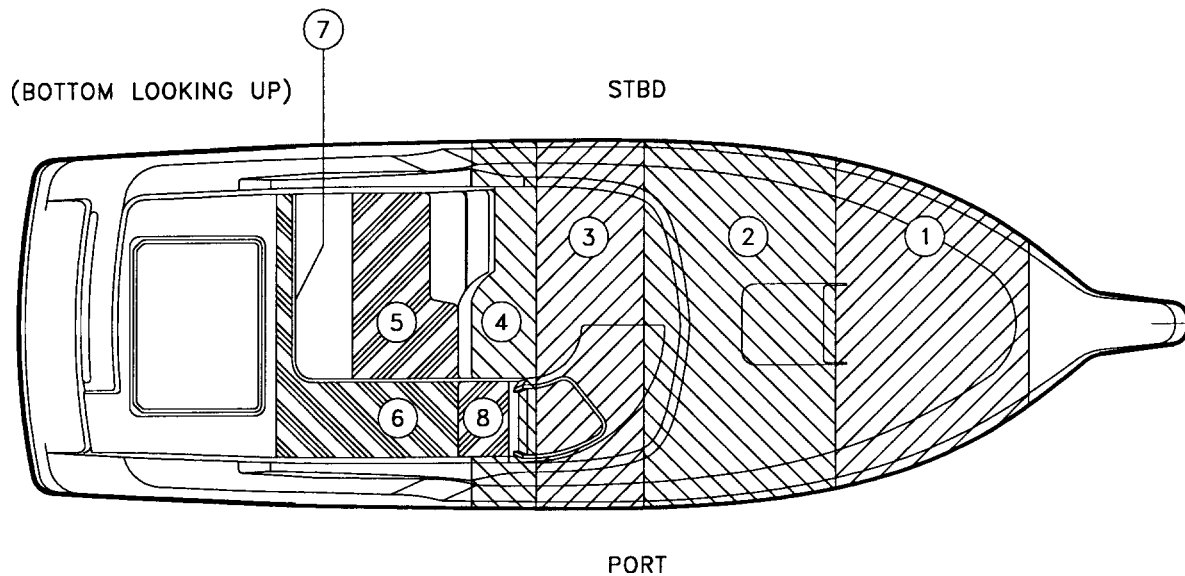
MAT:KIT PRE-FINAL		D4000214		
(8065049)		FAB:OATMEAL SOFT OZITE		
ITEM	QTY	SIZE	DESCRIPTION	OPTION
1	1	54 x 113	V-BERTH (CNTR)	STD
2	1	22 x 108	V-BERTH (STBD)	STD
3	1	22 x 30	V-BERTH (PORT)	STD
4	1	36 x 102	MID CABIN	STD
5	1	47 x 64	GALLEY	STD
10	1	27 x 139	MID CABIN (PORT)	STD



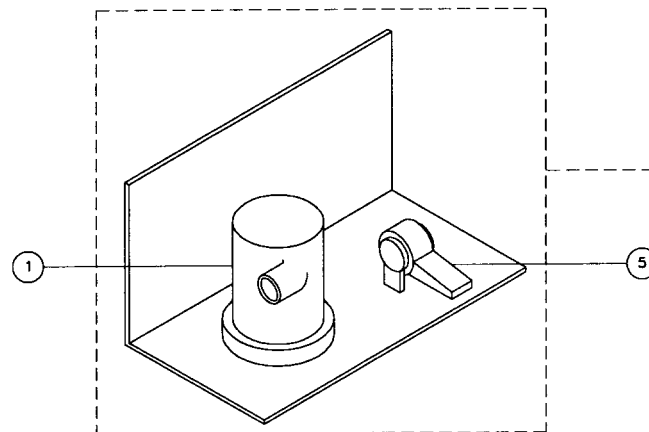
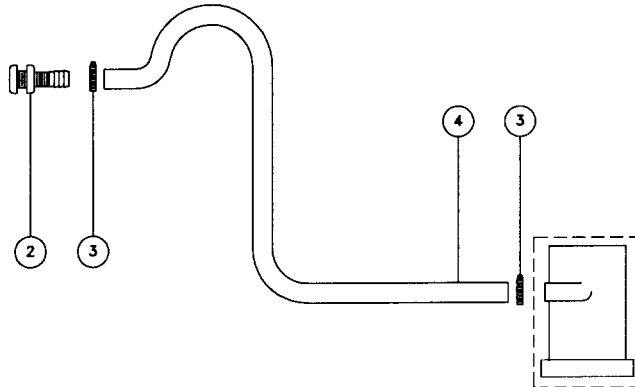
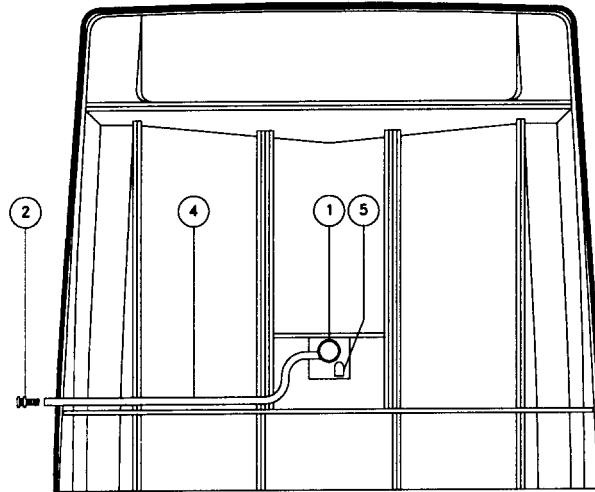
MAT:KIT FINAL		D4000216		
(8065896)		HULL LNR:BERMA W/WHITE 1/4"		
ITEM	QTY	SIZE	DESCRIPTION	OPTION
2	1	16" x 50"	ROPE LOCKER (BLKHD)	STD
5	1	14" x 25"	ROPE LOCKER (DOOR)	STD
7	1	18" x 34"	UPPER COVER PNLS	STD
8	1	21" x 46"	LOWER COVER PNLS	STD
(8065049)		FAB:OATMEAL SOFT OZITE		
1	1	24" x 69"	MID CABIN CEILING	STD
3	1	8" x 45"	STORAGE LCKR (STBD)	STD
9	1	9" x 26"	MID CABIN (CVRBRD)	STD
10	1	45" x 80"	MID CABIN (FWD BLKHD)	STD
11	1	8" x 50"	MID CABIN (CEILING)	STD



MAT:KIT DECKING		D400049		
(8065896) HULL LNR:BERMA W/WHITE 1/4"				
ITEM	QTY	SIZE	DESCRIPTION	OPTION
1	1	54" x 119"	HDLNR (FWD)	PATTERN
2	1	54" x 148"	HDLNR (MID)	PATTERN
3	1	54" x 155"	HDLNR (AFT)	PATTERN
4	1	12" x 155"	HDLNR	STD
(8065049) FAB:OATMEAL SOFT OZITE				
5	1	33" x 60"	MID CBN (FWD)	STD
6	1	59" x 96"	MID CBN (MID)	PATTERN
7	1	13" x 109"	MID CBN (AFT)	PATTERN
8	1	20" x 40"	ENTRANCE STEP	STD



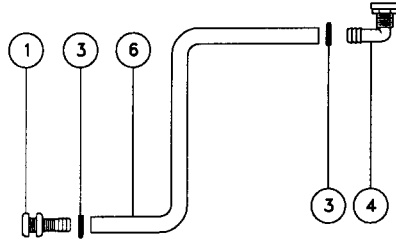
ITEM	QTY	DESCRIPTION	PART #	OPTION
1	1	PUMP:BILGE 1100	6510902	STD
2	1	THRU HULL:1-1/8 TO 1-1/4	7103800	STD
3	2	CLAMP:HOSE #20 (13/16 TO 1	7500500	STD
4	6.5'	HOSE:BILGE FLEX KING 1-1/8	7510000	STD
5	1	SW:RULE-A-MATIC	6507600	STD



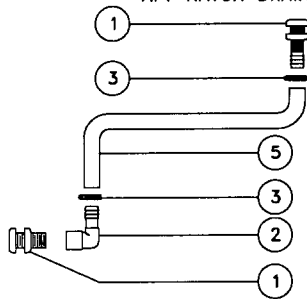
DRAINAGE—DECK

ITEM	QTY	DESCRIPTION	PART#	OPTION
1	5	THRU HULL:3/4" WHITE	7408300	STD
2	2	FIT:90 3/4FPT x 3/4HB NYLON	7424100	STD
3	6	CLAMP:HOSE #10 (9/16 TO	7500400	STD
4	1	DRAIN:SHOWER WHITE 3/4"	6115900	STD
5	2	HOSE:BILGE EX HD 3/4" x 3'	7509600	STD
6	1	HOSE:BILGE EX HD 3/4" x 5.5'	7509600	STD

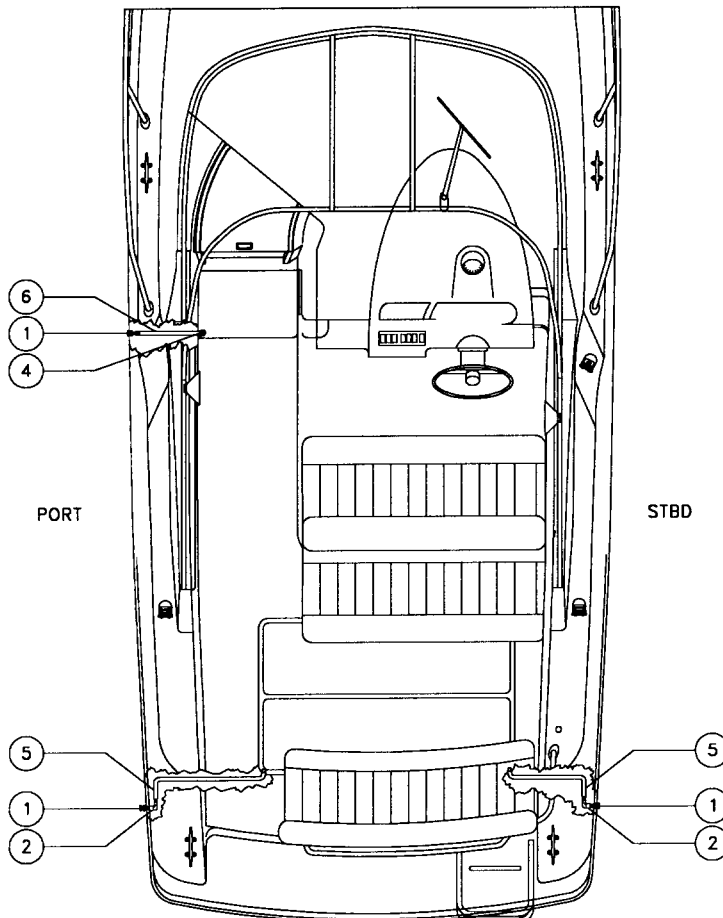
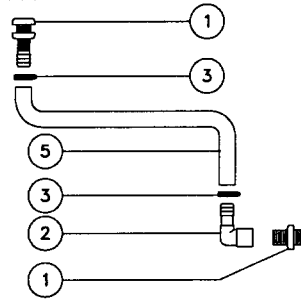
FOOTWELL DRAIN



AFT HATCH DRAIN

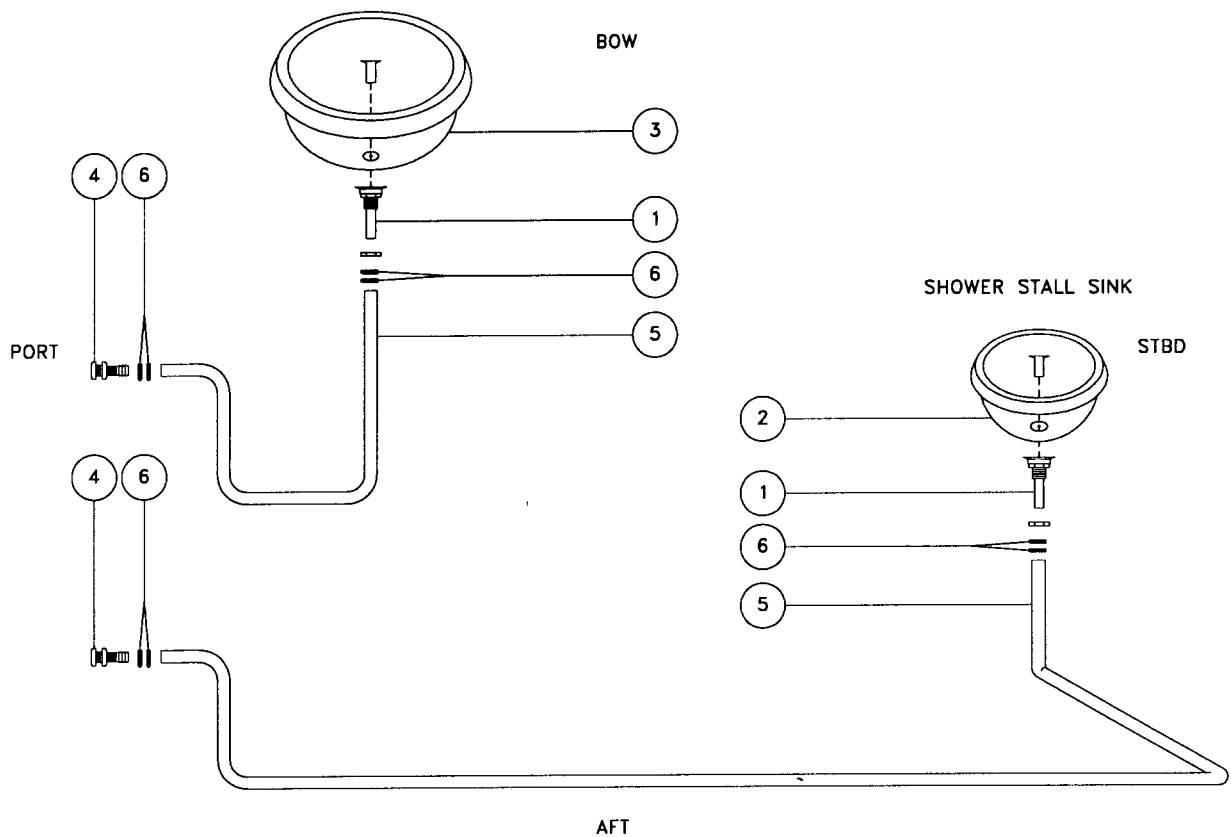


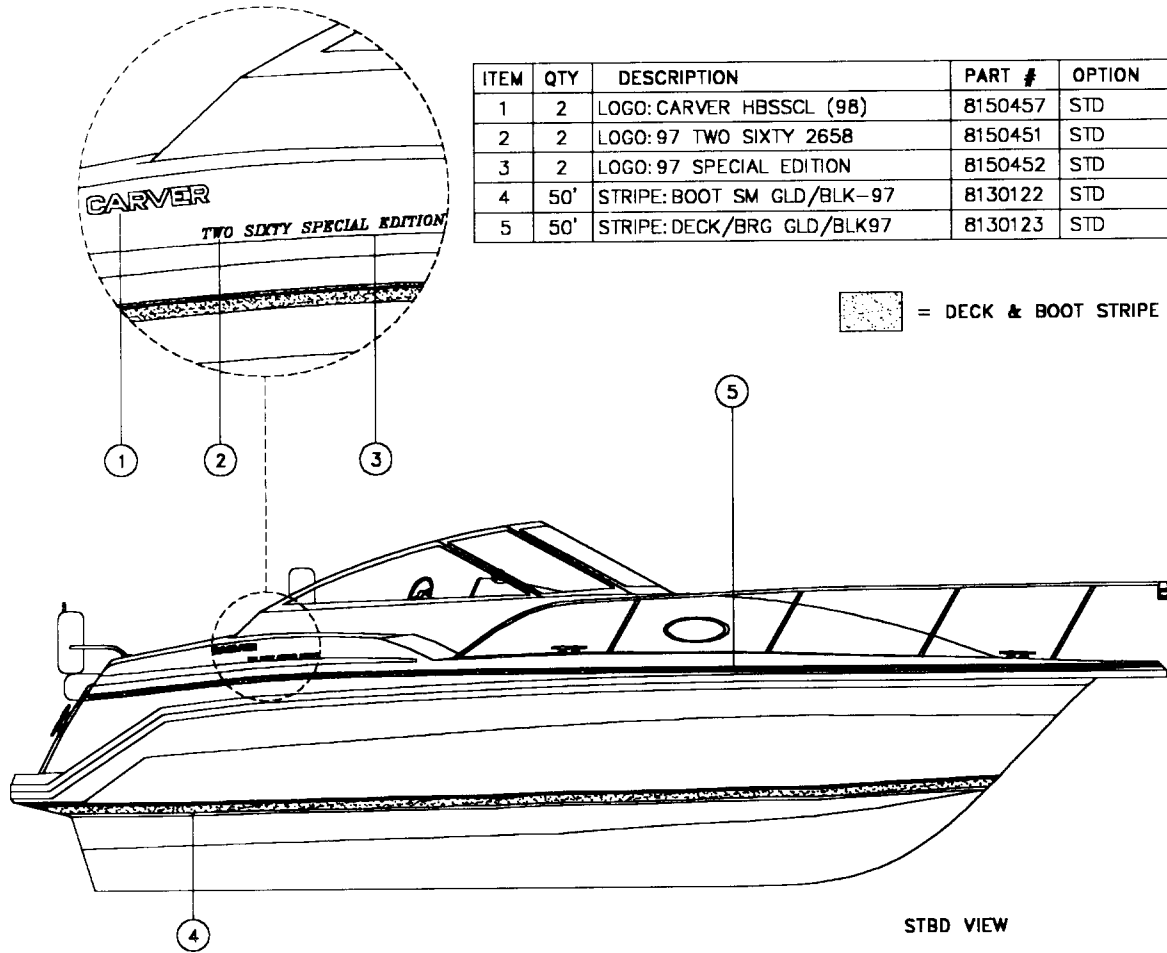
AFT HATCH DRAIN




ITEM	QTY	DESCRIPTION	PART #	OPTION
1	2	DRAIN:SINK 1 1/4" W/STOPP	6125100	STD
2	1	FRP:SHOWER STALL SINK 235	D4000111	STD
3	1	FRP:GALLEY SINK 2658	G8000024	STD
4	2	THRU HULL:1-1/8 TO 1-1/4	7103800	141=N
5	9.75'	HOSE:DRAIN HD 1 1/4"	7506700	141=N
6	8	CLAMP:HOSE #20	7500500	STD

GALLEY SINK

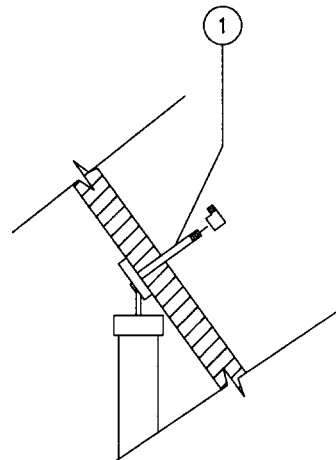
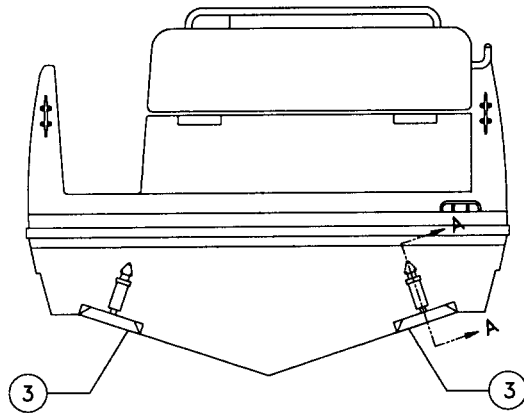




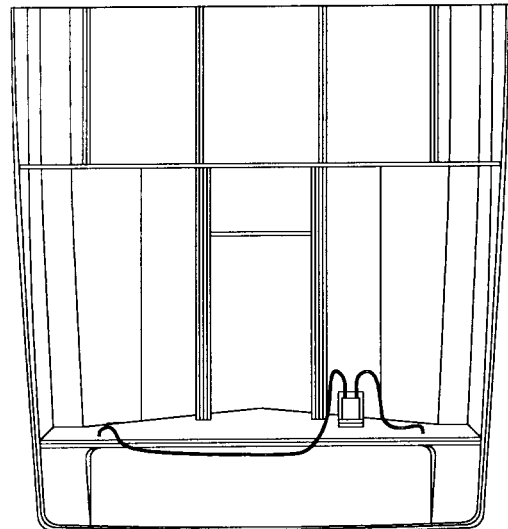
ITEM	QTY	DESCRIPTION	PART #	OPTION
1	2	LOGO: CARVER HBSSCL (98)	8150457	STD
2	2	LOGO: 97 TWO SIXTY 2658	8150451	STD
3	2	LOGO: 97 SPECIAL EDITION	8150452	STD
4	50'	STRIPE: BOOT SM GLD/BLK-97	8130122	STD
5	50'	STRIPE: DECK/BRG GLD/BLK97	8130123	STD

 = DECK & BOOT STRIPE

ITEM	QTY	DESCRIPTION	PART#	OPTION
1	2	NIPPL:1/8 NPTX 4 1/2" BRAS	7406700	STD
2	1	KIT:TRIM TABS L/PLANES RC	7303610	STD
3	2	PLANE:12 x 9 W/HINGE 2358	7305300	STD

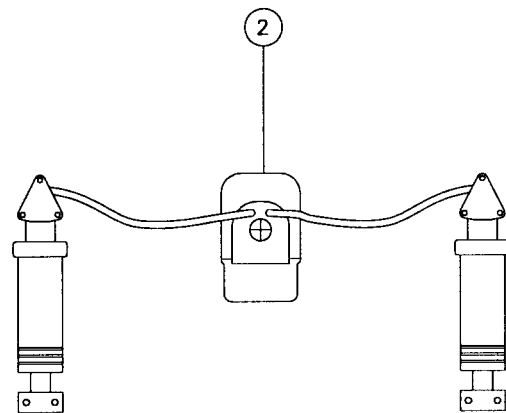


PORT

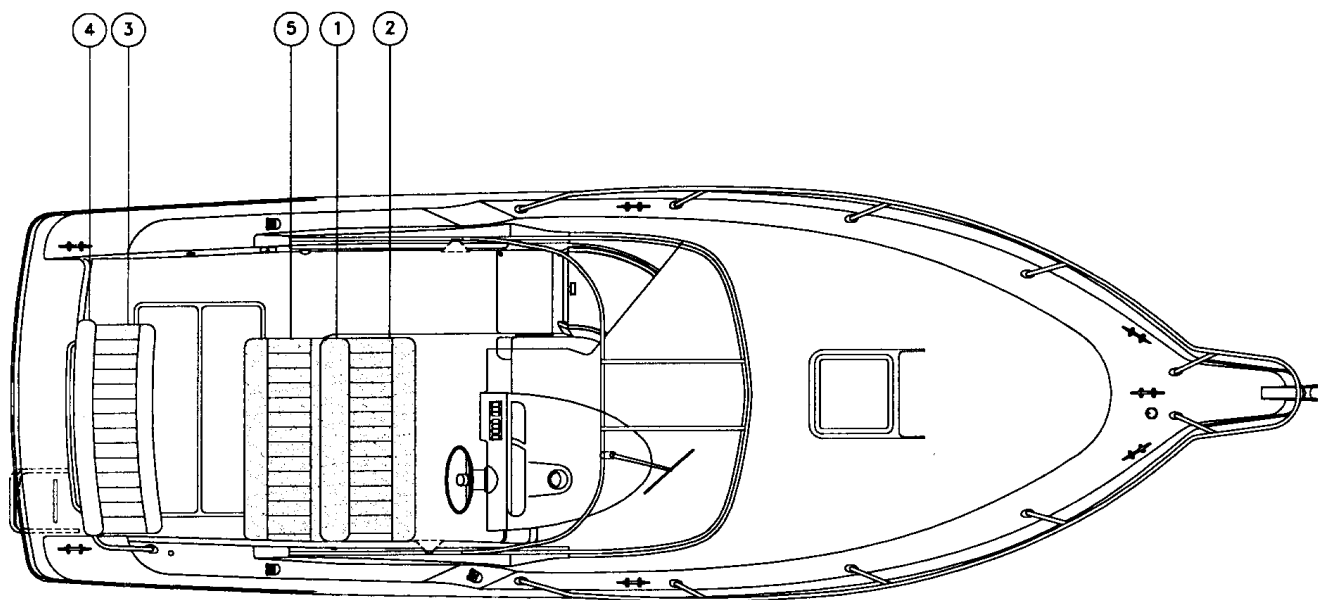


STBD

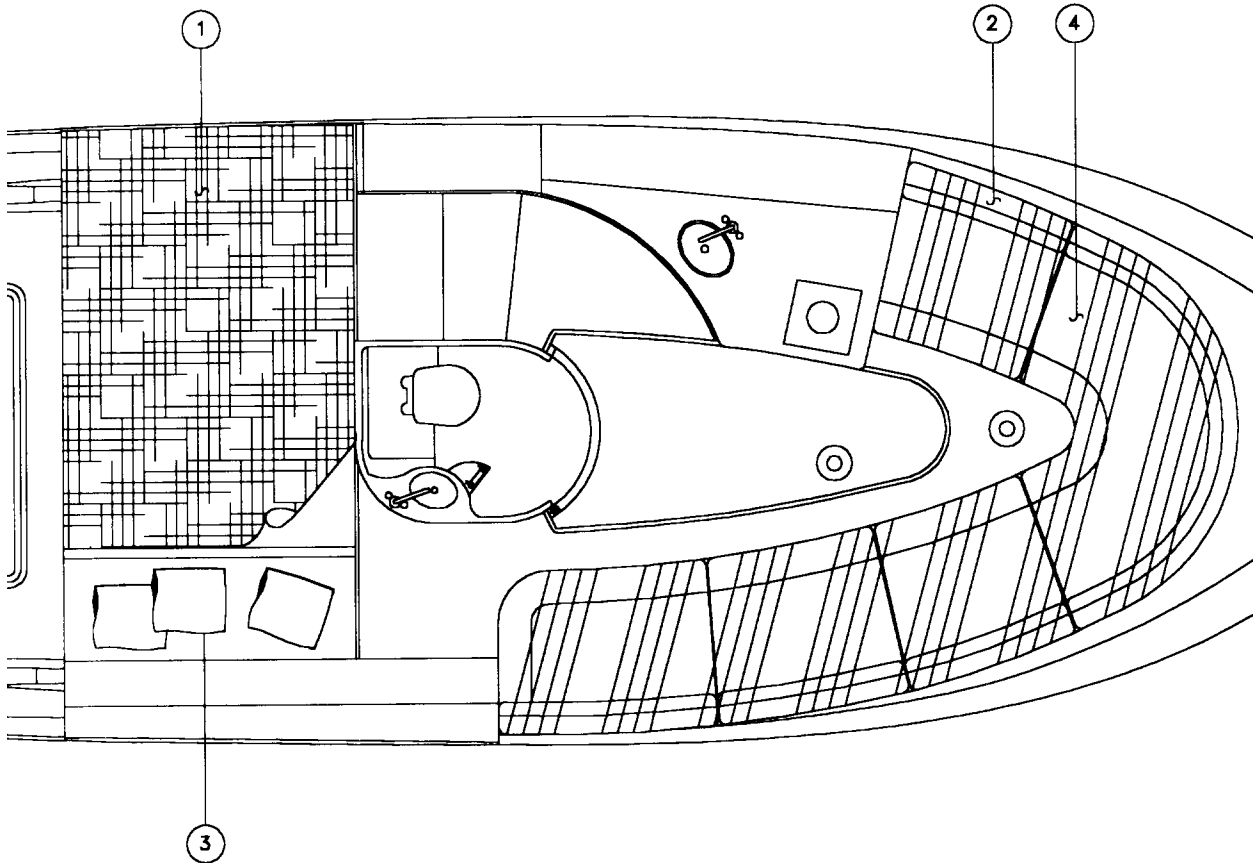
SECTION "AA"



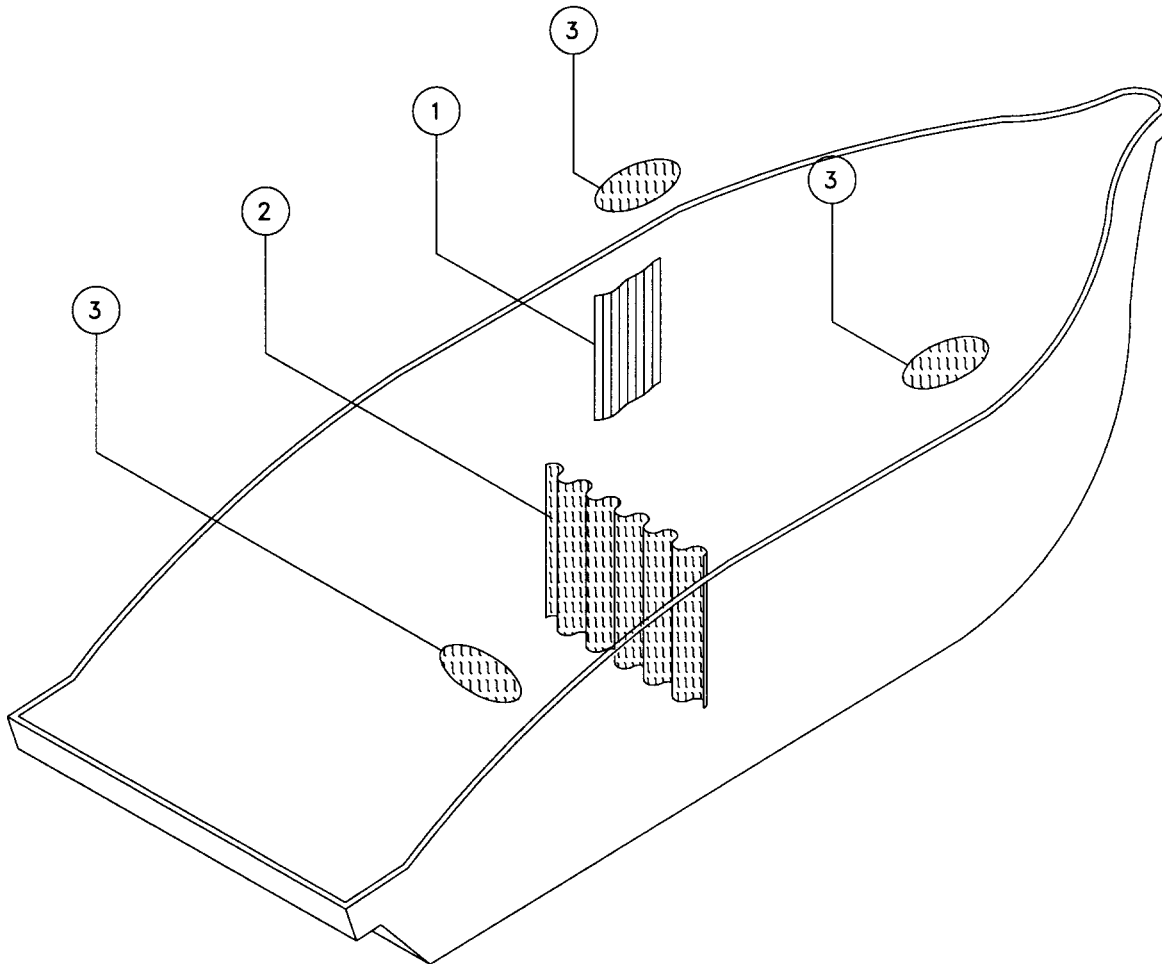
ITEM	QTY	DESCRIPTION	PART#	OPTION
		HELM ST:ASY	G8000031	
1	1	HELM ST BACKREST	G8000047	STD
2	1	HELM ST	G8000048	STD
		CKPT ST:ASY	G8000015	
3	1	AFT CKPT ST	G8000033	STD
4	1	AFT CKPT BACKREST	G8000034	STD
5	1	FWD CKPT ST	G8000032	STD



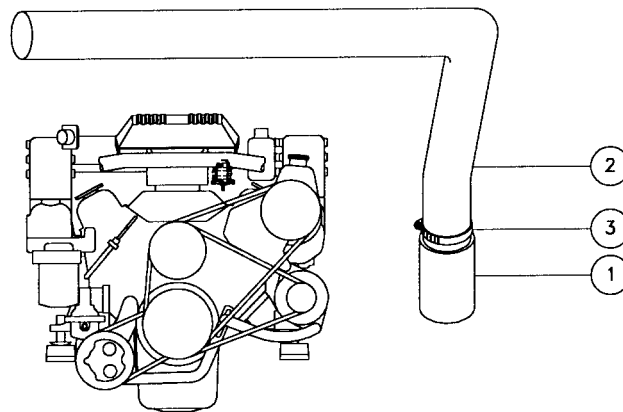
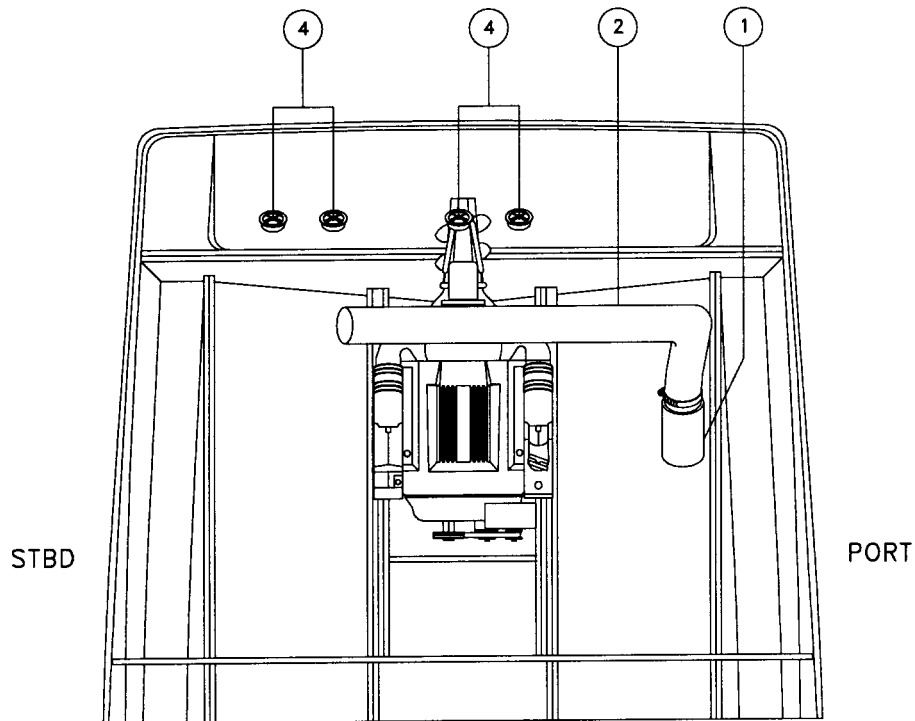
ITEM	QTY	DESCRIPTION	PART #	OPTION
1	1	MATT:ASY MID CAB	D4000032	STD
2	1	BLSTR:ASY V/B	D4000041	STD
3	1	PILL:ASY (3 PC) DECOR)	D4000189	850=Y
4	1	DIN:ASY 2658	G8000014	STD



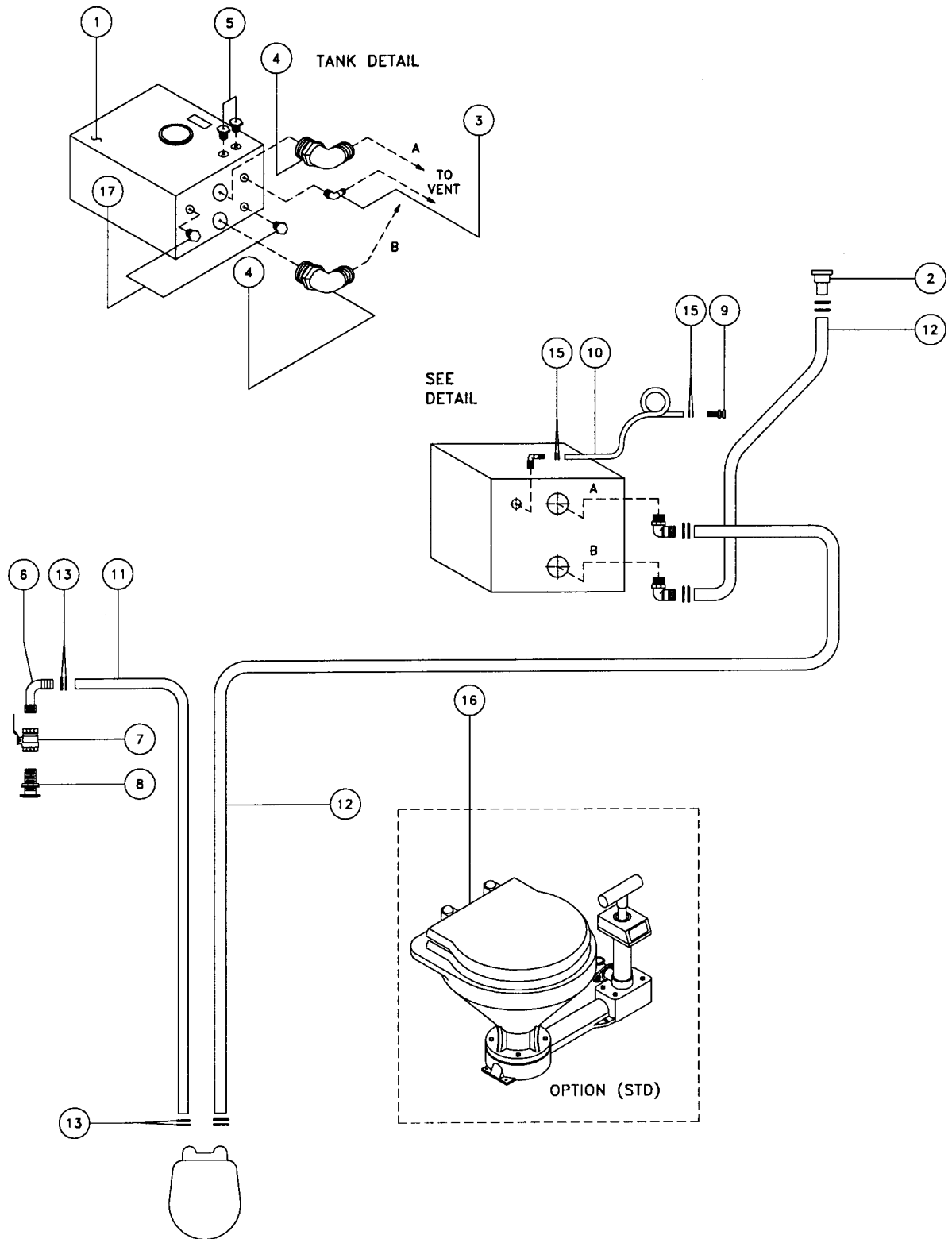
ITEM	QTY	DESCRIPTION	PART #	OPTION
		CURT:SET 2658	G8000013	
1	1	CURT:ASY SHOWER ROOM	G8000065	STD
2	1	CURT:ASY M-C PRIVACY 2658	G8000064	STD
3	3	CURT:ASY PORT HOLES	F4000855	STD



ITEM	QTY	DESCRIPTION	PART #	OPTION
1	1	BLOWER: BILGE 240CFM 4 IN/	6502700	STD
2	52"	HOSE: VENT 4"	7514500	STD
3	1	CLAMP: HOSE #64 (3 9/16 TO	7500900	STD
4	4	GRILL: 4" VENT WH 2358	6507500	STD



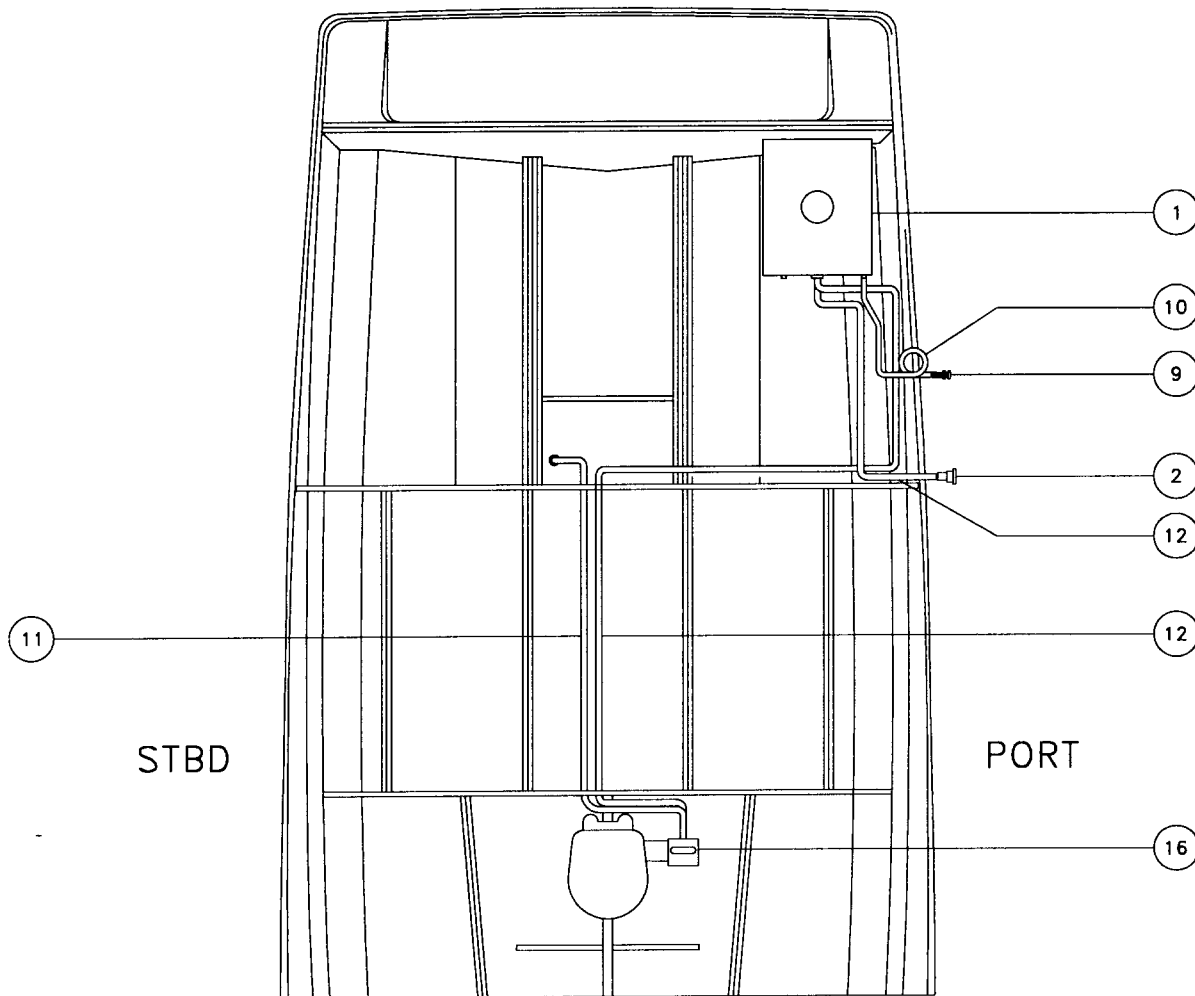
(FWD ENGINE ROOM LOOKING AFT)



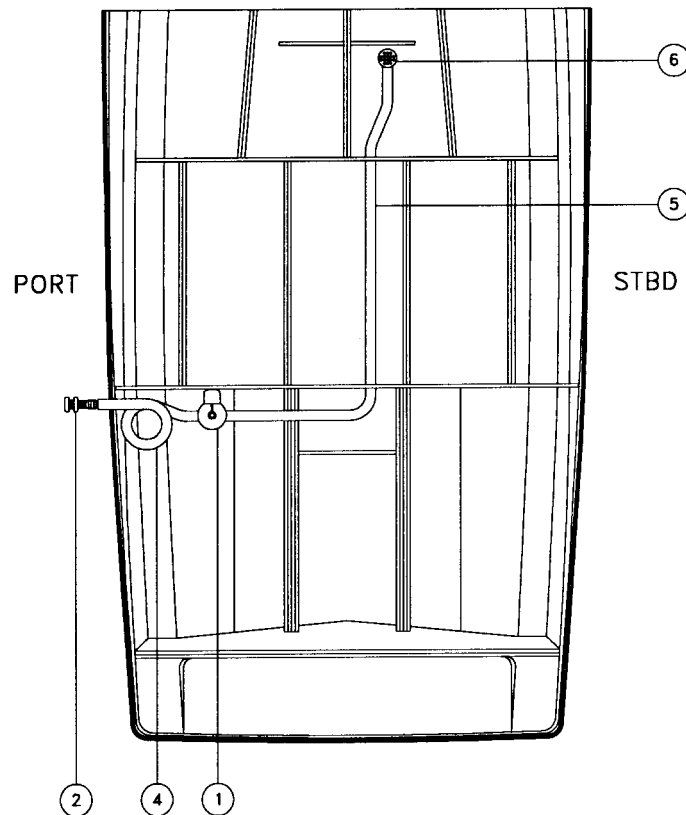
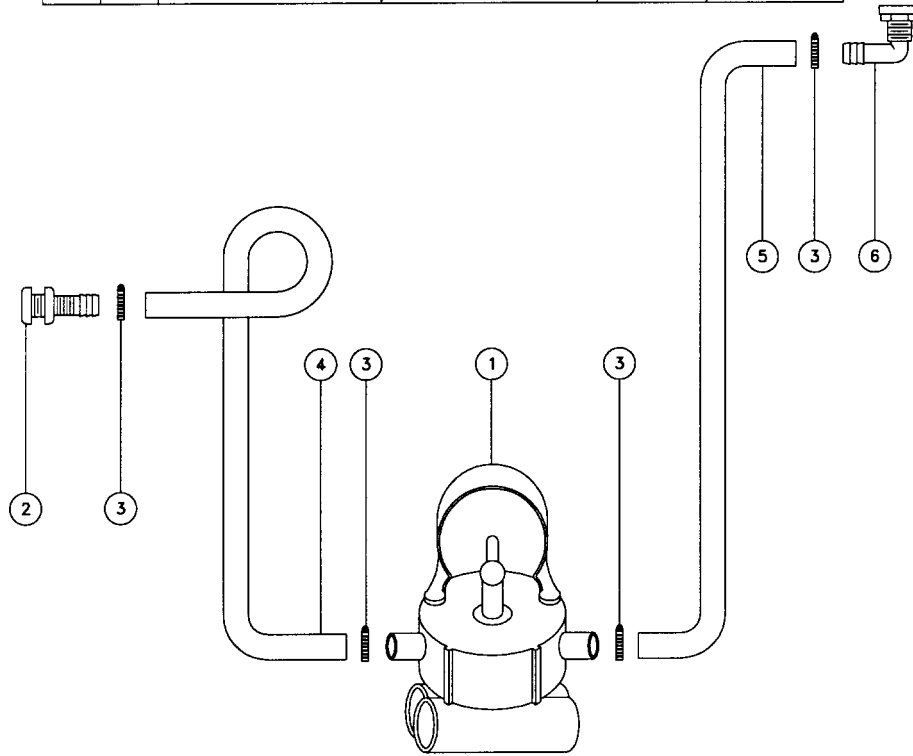
WASTE SYSTEM

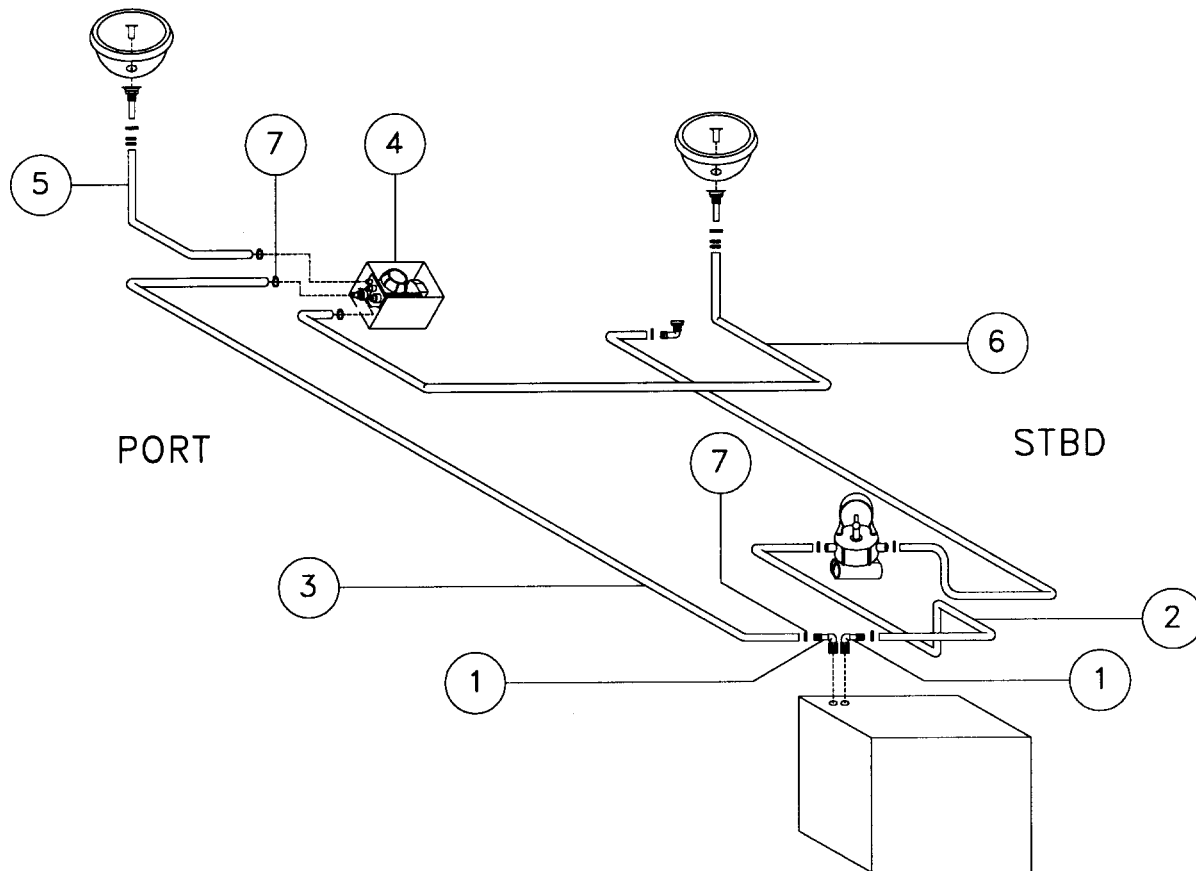
ITEM	QTY	DESCRIPTION	PART #	OPTION
1	1	TANK:WASTE 20 GAL 127-20	6109900	STD
2	1	PLT:DECK WASTE FITTING	6200600	STD
3	1	FIT:90 1/2HB x 1/2MPT PW NY	7411000	STD
4	2	FIT:90 1 1/2HB x 1 1/2MPT PWNYL	7403900	STD
5	2	FIT:PLUG 3/4" NYLON	7413901	STD
6	1	FIT:HSBRB 3/4 x 3/4MP 90 BZ	7419100	STD
7	1	VALVE:BALL 3/4" W/DRAIN	5131500	STD
8	1	THRU HULL:3/4 BRONZE	7109400	STD
9	1	THRU HULL:3/4" WHITE	7408300	STD
10	4'	HOSE:BILGE EX HD 5/8	7509700	STD
11	7'	HOSE:BILGE HD 3/4"	7502800	STD
12	14'	HOSE:VACUUM EX HD 1 1/2"	7509400	STD
	5.5'	HOSE:VACUUM EX HD 1 1/2"	7509400	STD
13	4	CLAMP:HOSE #10 (9/16 TO 1	7500400	STD
14	8	CLAMP:HOSE #2B (1 5/16 TO	7500600	STD
15	4	CLAMP:HOSE #8 (7/16 TO 7/	7500200	STD
16	1	HEAD:COMPACT CPV 3000	6205602	STD
17	2	FIT:PLUG 1/2MPT NYLON	7413900	STD

NOTE: ALL CLAMPS NOT CALLED OUT ARE EQUAL TO ITEM 14.

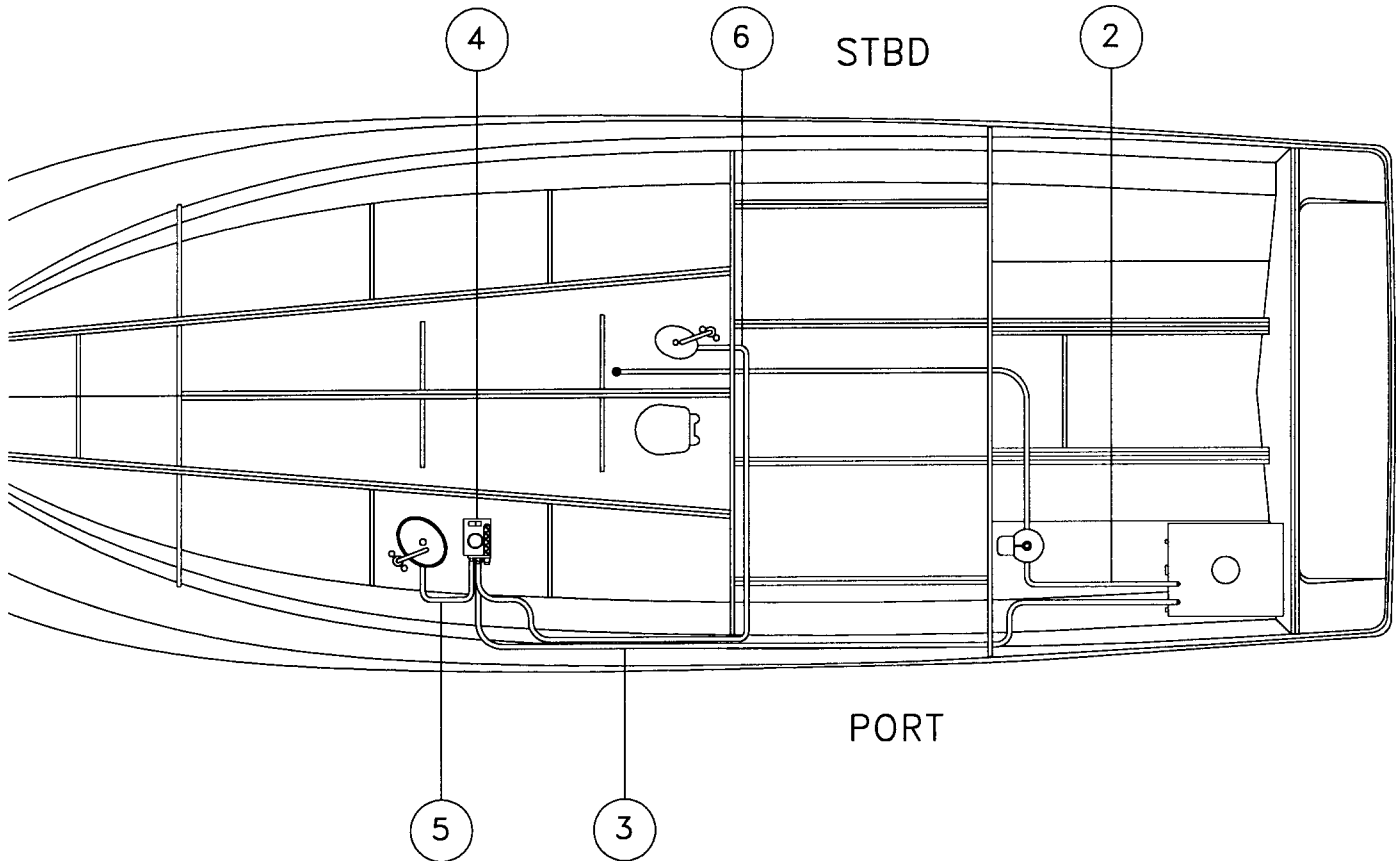


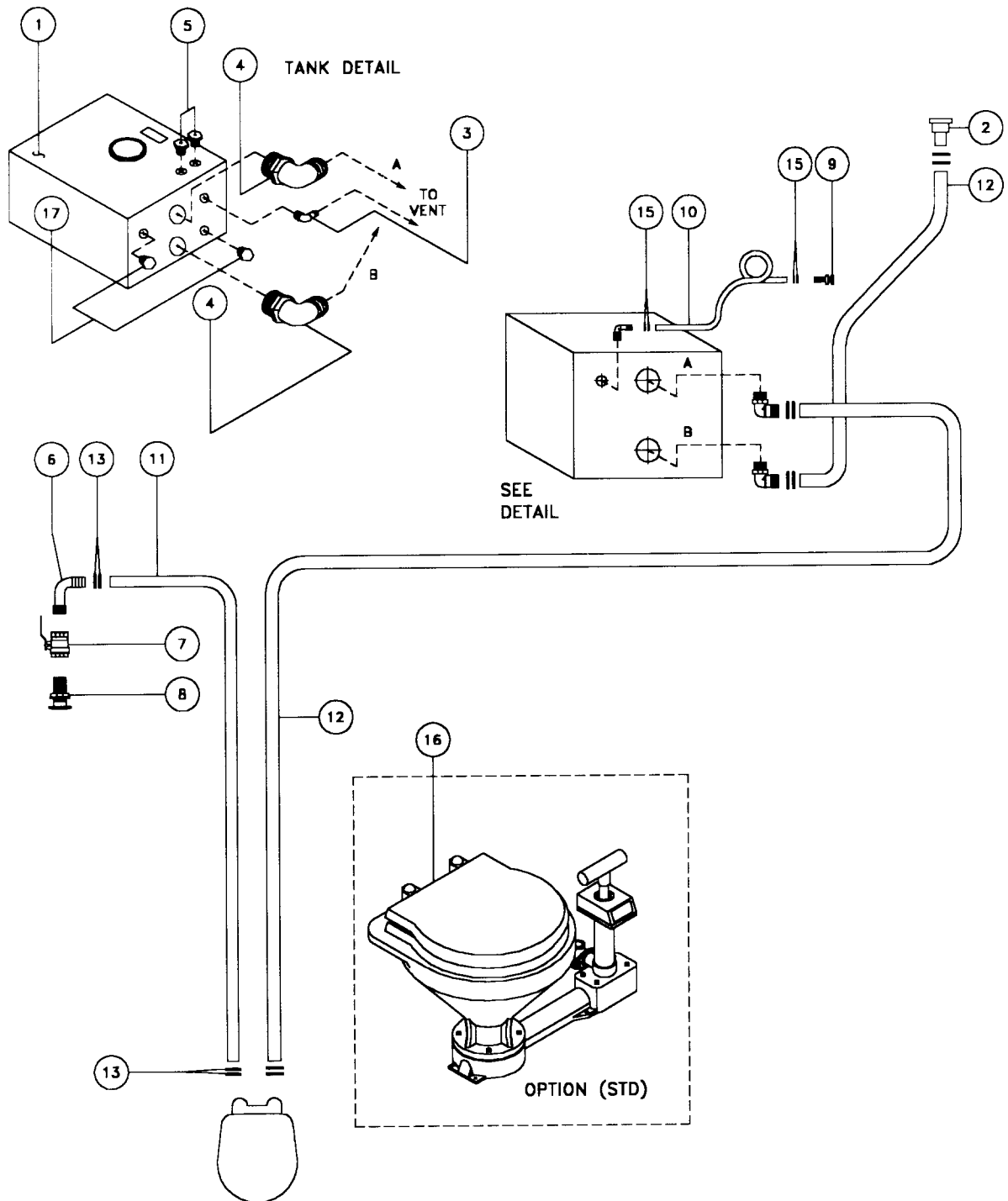
ITEM	QTY	DESCRIPTION	PART#	OPTION
1	1	PUMP:PAR, F/SHWR	6501300	STD
2	1	THRU HULL:3/4" WHITE	7408300	141=N
3	4	CLAMP:HOSE #10	7500400	STD
4	1	HOSE:BILGE EX HD 3/4" x 53"	7509600	141=N
5	1	HOSE:BILGE EX HD 3/4" x 9.5'	7509600	STD
6	1	DRAIN:SHOWER WHITE 3/4"	6115900	STD





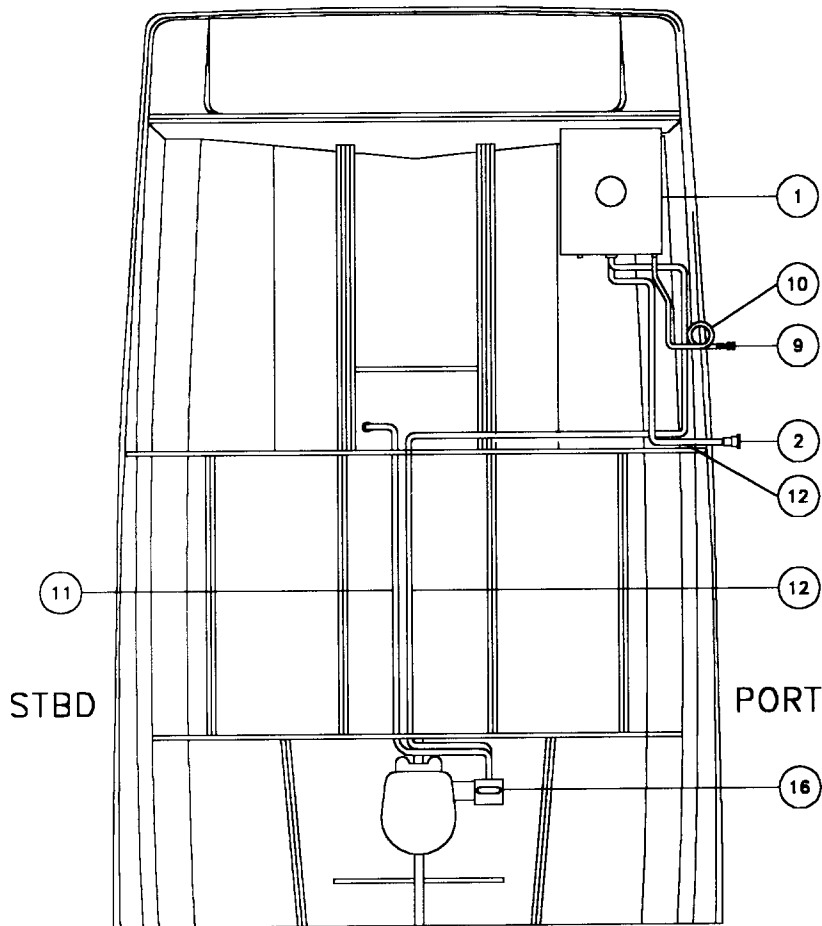
ITEM	QTY	DESCRIPTION	PART #	OPTION
1	2	FIT:3/4MPT x 3/4HB 90DG	7424500	141=Y
2	1	HOSE:BILGE EX HD 3/4" x 3'	7509600	141=Y
3	1	HOSE:BILGE EX HD 3/4" x 11'	7509600	141=Y
4	1	SUMP:SHOWER PUMP SYSTEM	6501400	141=Y
5	1	HOSE:DRAIN HD 1 1/4" x 3.5'	7506700	141=Y
6	1	HOSE:DRAIN HD 1 1/4" x 12'	7506700	141=Y
7	2	CLAMP:HOSE #10	7500400	141=Y





ITEM	QTY	DESCRIPTION	PART #	OPTION
1	1	TANK:WASTE 20 GAL 127-20	6109900	STD
2	1	PLT:DECK WASTE FITTING	6200600	STD
3	1	FIT:90 1/2HB x 1/2MPT PW NY	7411000	STD
4	2	FIT:90 1 1/2HB x 1 1/2MPT PWNYL	7403900	STD
5	2	FIT:PLUG 3/4" NYLON	7413901	STD
6	1	FIT:HSBRB 3/4 x 3/4MP 90 BZ	7419100	STD
7	1	VALVE:BALL 3/4" W/DRAIN	5131500	STD
8	1	THRU HULL:3/4 BRONZE	7109400	STD
9	1	THRU HULL:3/4" WHITE	7408300	STD
10	4'	HOSE:BILGE EX HD 5/8	7509700	STD
11	7'	HOSE:BILGE HD 3/4"	7502800	STD
12	14'	HOSE:BIOGARD WASTE 1 1/2"	7509405	STD
	5.5'	HOSE:BIOGARD WASTE 1 1/2"	7509405	STD
13	4	CLAMP:HOSE #10 (9/16 TO 1	7500400	STD
14	8	CLAMP:HOSE #28 (1 5/16 TO	7500600	STD
15	4	CLAMP:HOSE #8 (7/16 TO 7/	7500200	STD
16	1	HEAD:COMPACT CPV 3000	6205602	STD
17	2	FIT:PLUG 1/2MPT NYLON	7413900	STD

NOTE: ALL CLAMPS NOT CALLED OUT ARE EQUAL TO ITEM 14.



PART NO.	QTY.	LOCATION	OPT'N
01021-	1	FWD MID-BERTH (RH)	STD
01067-	1	UPPER GALLEY (LH)	STD
01141-	1	UPPER GALLEY (RH)	STD